



FITTING INSTRUCTIONS FOR

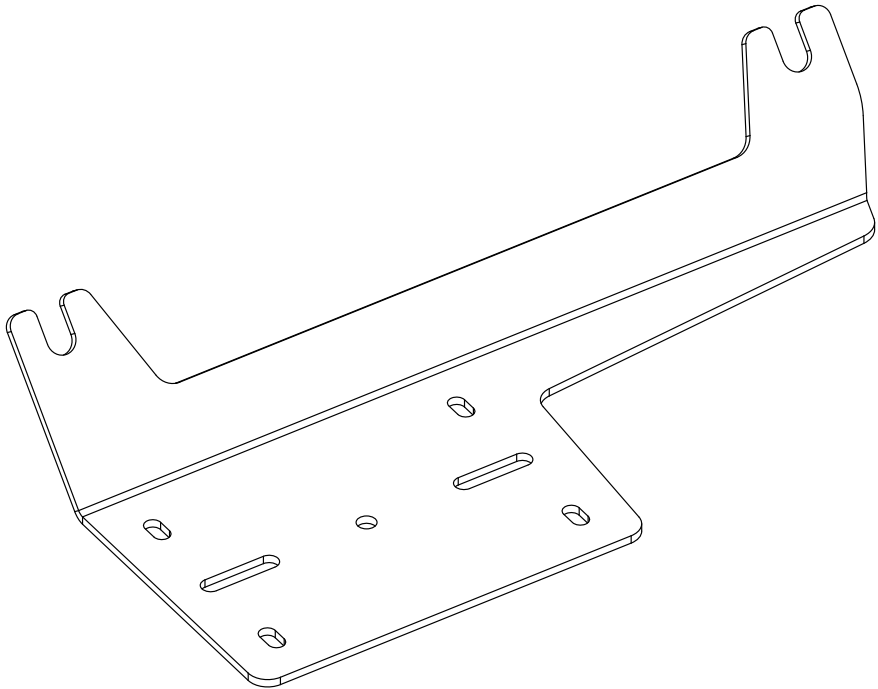
UHF Centre Console Module Mount

SKU


KS0997

COMPATIBILITY

Toyota Prado 250



Included contents	
QTY	COMPONENT
1	UHF Centre Console Mount

 Time	30 minutes / Half a beer
-------------------------------------------------------------------------------------------------	--------------------------

Scan the **QR code** to watch the video installation guide,
or for further information contact KAON on **07 3180 1470** or info@kaon.com.au



Bolt Torque

DIAMETER (mm)	5mm	6mm	8mm	10mm	12mm
NEWTON-METRES (Nm)	5 Nm	9 Nm	22 Nm	44 Nm	77 Nm

Let's get to work.

Preparation

1. Before installing the UHF console mount, you'll need to remove the trim of the centre console and some on the dash. Start by removing both side panels on the centre console.
2. Unclip and lower the gear stick boot. Use a tool to push the metal clip out to release the gear knob, and set the clip aside in a safe spot. Remove the gear knob. Finally, unclip and remove the gear shift trim, ensuring that you unplug the electric outlets.
3. You will now be able to unclip and remove the larger flat piece of centre console trim and the mode selector, setting them to one side.

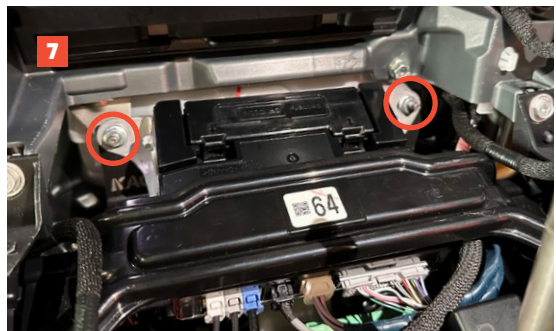


Installation

4. Your chosen radio should include it's own mounting bracket and hardware. Attach it to the Console Mount and tighten until secure.
5. Now you can attach the radio to the bracket. Tighten the hardware until secure.
6. Now is the time to get all your wiring sorted. How you do this will depend on how and where you want to run your radio and antenna.

Our recommendation is to run the antenna cable through the rubber grommet behind the battery, the power supply from a 12 USB-C outlet in the dash, and the radio handpiece through the left side of the driver's footwell. The plugs from each should collect behind the gear shift.

7. With the cables routed, you can now install the console bracket. Loosen the M6 bolts indicated, toward the rear of the centre console.
8. To position the bracket, feed it through the opening in the console, and slide the slotted bracket openings towards the front of the vehicle, over the M6 bolts threads. Tighten the M6 bolts to secure.



Installation cont.

9. Replace the dash console trim in the reverse order it was removed, ensuring you reconnect all disconnected plugs.
10. That's it - you're done!
If you are all installing the Handpiece Mount in conjunction with the console mount, proceed to those instructions now.



Local Knowledge & Assistance

We know half the fun of building your dream 4x4 is getting your hands dirty. But we also know that sometimes, things don't go to plan. If in the pursuit to build the ultimate setup you find yourself off-track, we're here to help you get unstuck.

For further information call 07 3180 1470 or email info@kaon.com.au

Disclaimer: The products sold by KAON should not be modified, and are for use only on the vehicles specifically stated. KAON will not be liable for any damages arising out of the use or misuse of its products. It is the customers responsibility to ensure the products are safely and properly used and installed. KAON consistently seeks to improve its products and reserves the right to make changes to any product.



FITTING INSTRUCTIONS FOR

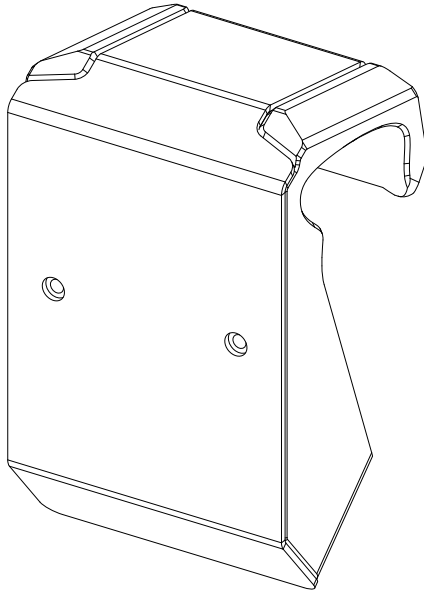
UHF Handpiece Dash Mount

SKU

KS1047

COMPATIBILITY

Toyota Prado 250



Included contents

QTY	COMPONENT
1	UHF Handpiece Bracket
1	Handpiece Mount
2	Self Tapping Screw



Time

10 minutes / Few sips of beer

Scan the **QR code** to watch the video installation guide,
or for further information contact KAON on **07 3180 1470** or info@kaon.com.au



Bolt Torque

DIAMETER (mm)	5mm	6mm	8mm	10mm	12mm
NEWTON-METRES (Nm)	5 Nm	9 Nm	22 Nm	44 Nm	77 Nm

Let's get to work.

Installation

1. Place the TPU Handpiece Mount in position on the dash, to the left of the steering wheel and with the ramped edge sitting firmly against the angled trim.
2. Slide the Handpiece Bracket over the TPU component to clip its position and lock it in place.



Installation

3. Your chosen UHF Radio should include a mount for the Microphone Handpiece. Using the self-tapping screws, secure it through the Handpiece Bracket and into the TPU backing behind until firm. Take care not to overtighten.

Please note that you may need to remove the backing plate of your radio's provided Microphone Handpiece Mount.

4. That's it – you're done!
You should now be able to put your Radio Handpiece in a convenient and easy to reach location, right next to your steering wheel.





Local Knowledge & Assistance

We know half the fun of building your dream 4x4 is getting your hands dirty. But we also know that sometimes, things don't go to plan. If in the pursuit to build the ultimate setup you find yourself off-track, we're here to help you get unstuck.

For further information call 07 3180 1470 or email info@kaon.com.au

Disclaimer: The products sold by KAON should not be modified, and are for use only on the vehicles specifically stated. KAON will not be liable for any damages arising out of the use or misuse of its products. It is the customers responsibility to ensure the products are safely and properly used and installed. KAON consistently seeks to improve its products and reserves the right to make changes to any product.