



FITTING INSTRUCTIONS FOR

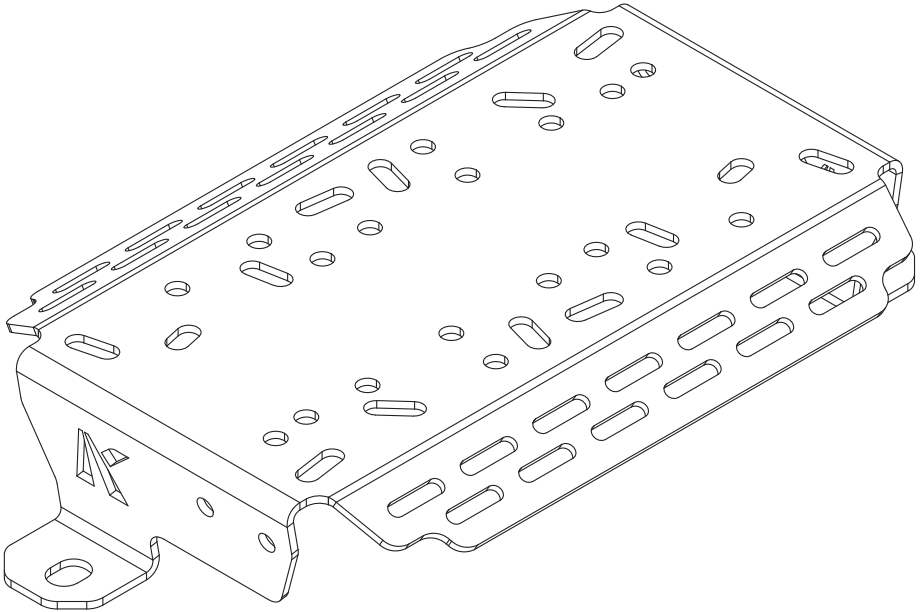
# Battery Fuse Bracket

SKU

**KS0685**

COMPATIBILITY

***Isuzu D-MAX RG, MU-X RJ, Mazda BT-50 TF***



## Included contents

QTY	COMPONENT	QTY	COMPONENT
1	Battery Fuse Bracket	8	M4 x 9 x 0.8 DIN Flat Washer
8	M4 x 16 Socket Head Cap Screw	8	M4 Nyloc Nut



**Time**

The bracket takes less than a minute, but wiring time is dependant on your setup.

For further information contact KAON on **07 3180 1470** or [info@kaon.com.au](mailto:info@kaon.com.au)

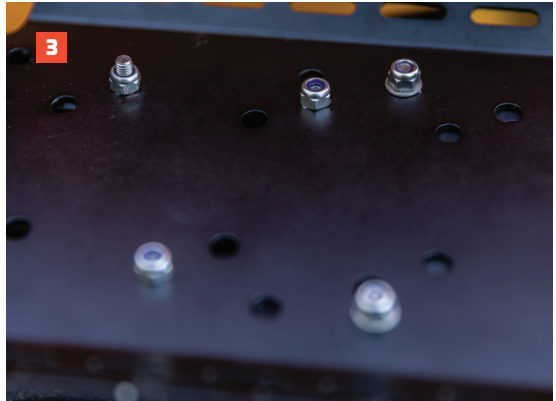
# Let's get to work.

---

## Preparation

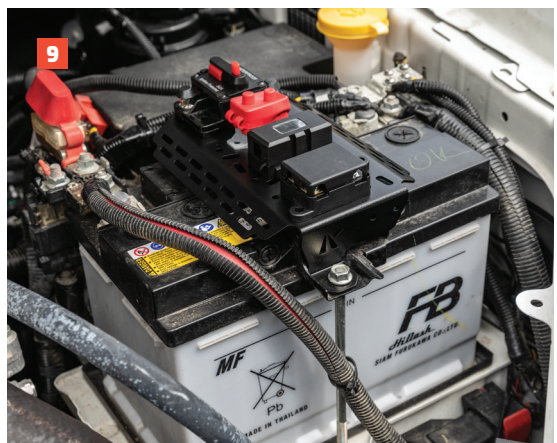
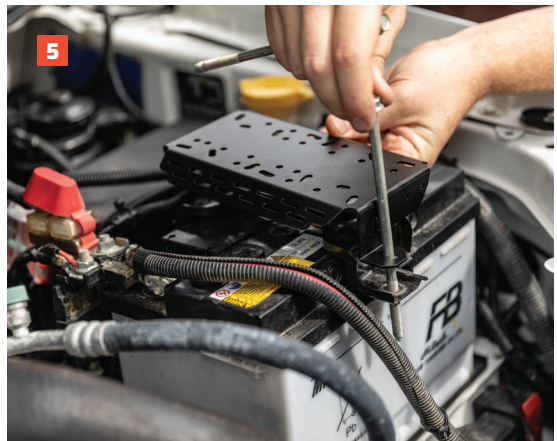
1. Before installing, test fit the Battery Fuse Bracket loosely over the factory clamp position. You will need to ensure you have sufficient clearance to the terminal cables and any fuse blocks. Depending on your setup, this may require reconfiguring the cables slightly, so they run into the terminals from the sides.
2. Ensure that all surfaces are clean, and free of dust and debris.
3. First things first, you'll want to work out what fuses you're mounting, and in what configuration. Our bracket has holes for most common fuses. But should you find you want to run something else, it's made from aluminium so you can easily drill additional holes.

We've also provided enough stainless steel mounting hardware to suit most applications, with eight M4 bolts, washers and nyloc nuts.



## Installation

4. Undo and remove bolts that secure the factory battery clamp.
5. Place the bracket **over** the factory battery clamp, before threading the bolts through both the bracket and clamp, as pictured.
6. Loosely secure both the bracket and clamp in place.
7. Confirm the position of the bracket and that it has sufficient clearance to the terminals. Gently close the bonnet to confirm sufficient clearance to the underside.
8. With all clearances confirmed, tighten the M8 bolts.
9. That's it, the bracket install is done! But your wiring job has just begun. Our bracket has two ramps on each side with slots for cable management with zip-ties, to help make this job easier.



## Bolt Torque

DIAMETER (mm)	5mm	6mm	8mm	10mm	12mm
NEWTON-METRES (Nm)	5 Nm	9 Nm	22 Nm	44 Nm	77 Nm



### Local Knowledge & Assistance

We know half the fun of building your dream 4x4 is getting your hands dirty. But we also know that sometimes, things don't go to plan. If in the pursuit to build the ultimate setup you find yourself off-track, we're here to help you get unstuck.

For further information call 07 3180 1470 or email [info@kaon.com.au](mailto:info@kaon.com.au)

Disclaimer: The products sold by KAON should not be modified, and are for use only on the vehicles specifically stated. KAON will not be liable for any damages arising out of the use or misuse of its products. It is the customers responsibility to ensure the products are safely and properly used and installed. KAON consistently seeks to improve its products and reserves the right to make changes to any product.