



FITTING INSTRUCTIONS FOR

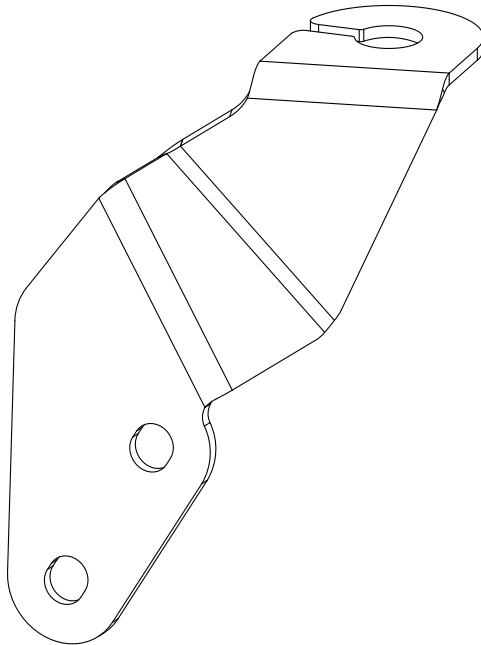
Rear Hinge Aerial Mount

SKU

KS0680

COMPATIBILITY

Nissan Patrol Y61



Included contents

QTY	COMPONENT	QTY	COMPONENT
1	Aerial Mount Bracket	2	Small Cable Tie



Time

30 minutes / Half a beer

For further information contact KAON on **07 3180 1470** or info@kaon.com.au

Let's get to work.

Preparation

1. Locate the top hinge on the right hand side (larger) door. Remove the top two bolts entirely. These bolts are tight from factory, so be careful not to round the heads.
2. Now is the time to think about how you want to run the coaxial cable for your chosen aerial. The easiest option is to run it downwards and through the rubber grommet into the cabin. We recommend running it into the underside of the rubber grommet. This can be accessed from a hatch in the cabin, before directing it to the desired final location in the vehicle.



Installation

3. Position the bracket over the hinge as shown, and reinstall the factory hinge bolts.
4. Confirm the position of the bracket, and gently close the door. We want the space around it to be small and even. The rubber trim pieces adhered to the bracket should be between it and the vehicle on both sides.
5. With the bracket position confirmed, tighten both hinge bolt to secure, ensuring that the bracket does not move whilst doing so.
6. Secure your chosen aerial to the bracket using an open spanner.
7. Run the coaxial cable as desired. Secure the cable to the mount, using the provided zip ties for cable management. Ensure the cable is positioned so that it doesn't get pinched.
8. Double check that the gaps surrounding the bracket have been maintained, both with the door open and closed. That's it, you're done! Now it's over to you to complete the installation of your aerial.



Bolt Torque

DIAMETER (mm)	5mm	6mm	8mm	10mm	12mm
NEWTON-METRES (Nm)	5 Nm	9 Nm	22 Nm	44 Nm	77 Nm



Local Knowledge & Assistance

We know half the fun of building your dream 4x4 is getting your hands dirty. But we also know that sometimes, things don't go to plan. If in the pursuit to build the ultimate setup you find yourself off-track, we're here to help you get unstuck.

For further information call 07 3180 1470 or email info@kaon.com.au

Disclaimer: The products sold by KAON should not be modified, and are for use only on the vehicles specifically stated. KAON will not be liable for any damages arising out of the use or misuse of its products. It is the customers responsibility to ensure the products are safely and properly used and installed. KAON consistently seeks to improve its products and reserves the right to make changes to any product.