

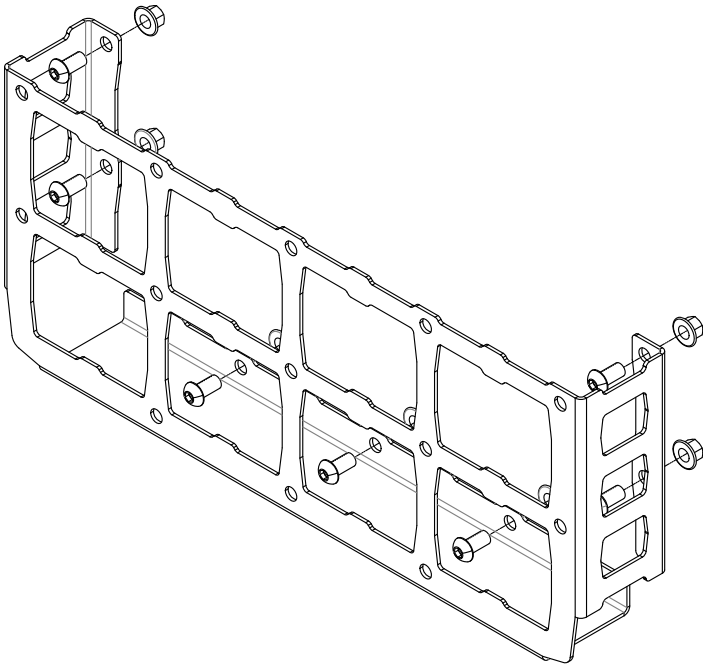


FITTING INSTRUCTIONS FOR


# Large Storage Pod

SKU  
**KS0642**

COMPATIBILITY  
**KAON Shelves, Dividers & Large Molle Panels**



Included contents	
QTY	COMPONENT
1	Large Storage Pod
7	M6 x 12 Button Head Socket Screw
7	M6 Flanged Nut

 <b>Time</b>	5 mins / Few swigs of beer
---	----------------------------

For further information contact KAON on **07 3180 1470** or [info@kaon.com.au](mailto:info@kaon.com.au)

# Let's get to work.

## Installation

1. First up, work out where you want to place your storage pod, bearing in mind you'll need space to get stuff in and out. The pod is compatible with the mesh found on Large Molle Panels and Cargo Dividers, as well as the underside of KAON Shelves.
2. Once you have placement decided, simply attach the pod using the provided bolts and nuts. If possible, we recommend attaching the pod to any products before installing them. If not, it's a little fiddly, but the holes make it easy to slip an allen key through.
3. That's it! Your new storage pod is ready to rock and roll.



## Bolt Torque

DIAMETER (mm)	5mm	6mm	8mm	10mm	12mm
NEWTON-METRES (Nm)	5 Nm	9 Nm	22 Nm	44 Nm	77 Nm



## **Local Knowledge & Assistance**

We know half the fun of building your dream 4x4 is getting your hands dirty. But we also know that sometimes, things don't go to plan. If in the pursuit to build the ultimate setup you find yourself off-track, we're here to help you get unstuck.

**For further information call 07 3180 1470 or email [info@kaon.com.au](mailto:info@kaon.com.au)**

Disclaimer: The products sold by KAON should not be modified, and are for use only on the vehicles specifically stated. KAON will not be liable for any damages arising out of the use or misuse of its products. It is the customers responsibility to ensure the products are safely and properly used and installed. KAON consistently seeks to improve its products and reserves the right to make changes to any product.