



FITTING INSTRUCTIONS FOR

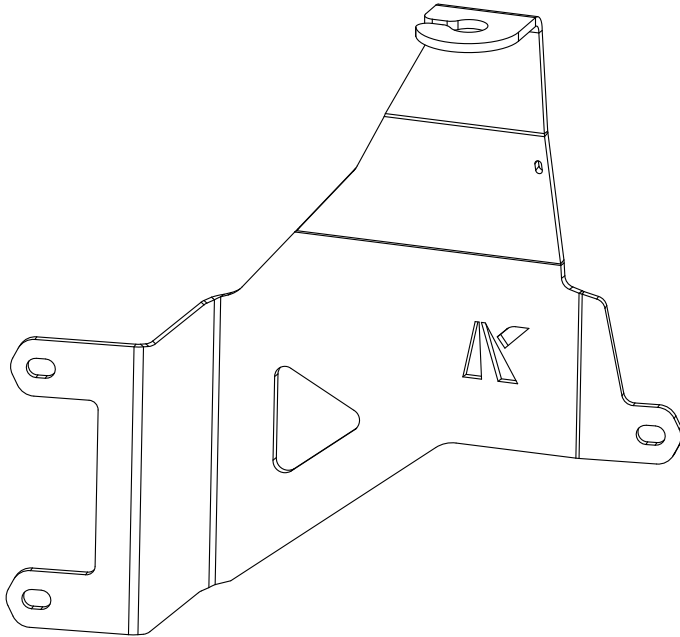
Rear Aerial Mount

SKU

KS0603

COMPATIBILITY

Mitsubishi Pajero NX



Included contents

QTY	COMPONENT
1	Aerial Mount Bracket
1	Small Cable Tie



Time

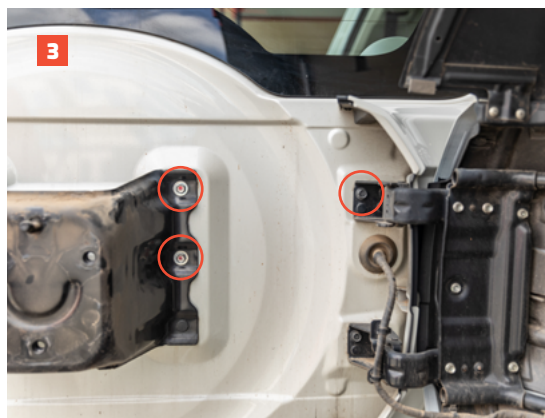
30 minutes / Half a beer

For further information contact KAON on **07 3180 1470** or info@kaon.com.au

Let's get to work.

Preparation

1. First we need to, open the spare tyre cover. This can be done by accessing the bolts, located inside the hatches within interior rear door trim.
2. Remove the spare tyre and set to one side.
3. Remove the two right side bolts holding the tyre carrier, and the top cover hinge bolt. Set to one side.



Installation

4. Fit the bracket over these holes, and secure using the factory bolts.
5. With the bracket secured, slowly and gently close the cover to confirm that the aerial mount doesn't foul on the cover.
6. With the placement confirmed, open the cover again and torque all bolts until tight.
7. Now it's time to attach and wire the aerial / antenna. Our bracket is slotted to make this super simple, and we find the easiest way of running the cable this is through the rubber grommet below the RHS mount. We also provide a cable tie for you to secure the cable to the bracket.
8. That's it! With the installation complete, reinstall the spare and close the cover, ensuring to torque all bolts until tight at each stage.



Bolt Torque

DIAMETER (mm)	5mm	6mm	8mm	10mm	12mm
NEWTON-METRES (Nm)	5 Nm	9 Nm	22 Nm	44 Nm	77 Nm



Local Knowledge & Assistance

We know half the fun of building your dream 4x4 is getting your hands dirty. But we also know that sometimes, things don't go to plan. If in the pursuit to build the ultimate setup you find yourself off-track, we're here to help you get unstuck.

For further information call 07 3180 1470 or email info@kaon.com.au

Disclaimer: The products sold by KAON should not be modified, and are for use only on the vehicles specifically stated. KAON will not be liable for any damages arising out of the use or misuse of its products. It is the customers responsibility to ensure the products are safely and properly used and installed. KAON consistently seeks to improve its products and reserves the right to make changes to any product.