



FITTING INSTRUCTIONS FOR

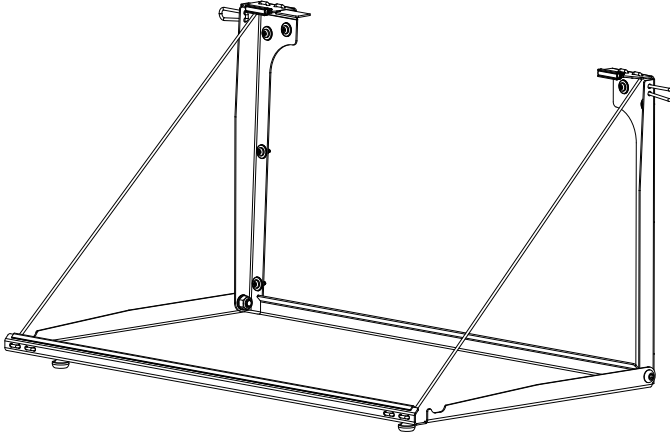
Compact Rear Door Table

SKU

KS0566/577

COMPATIBILITY

Toyota Prado 150, Lexus GX 460



Included contents

QTY	COMPONENT	QTY	COMPONENT
1	Rear Door Table	2	M8 Nyloc Nuts
2	Mounting Brackets	2	Plastic Cord Buttons
8	Self Tapping Screws	10	M5 x 16 Button Head Socket Screws
2	M8 x 16 Flat Round Washer	8	M5 x 15 DIN Washers
2	M8 x 16 Button Socket Head Screws	10	M5 Nyloc Nuts
2	Paracord 670mm		



Time

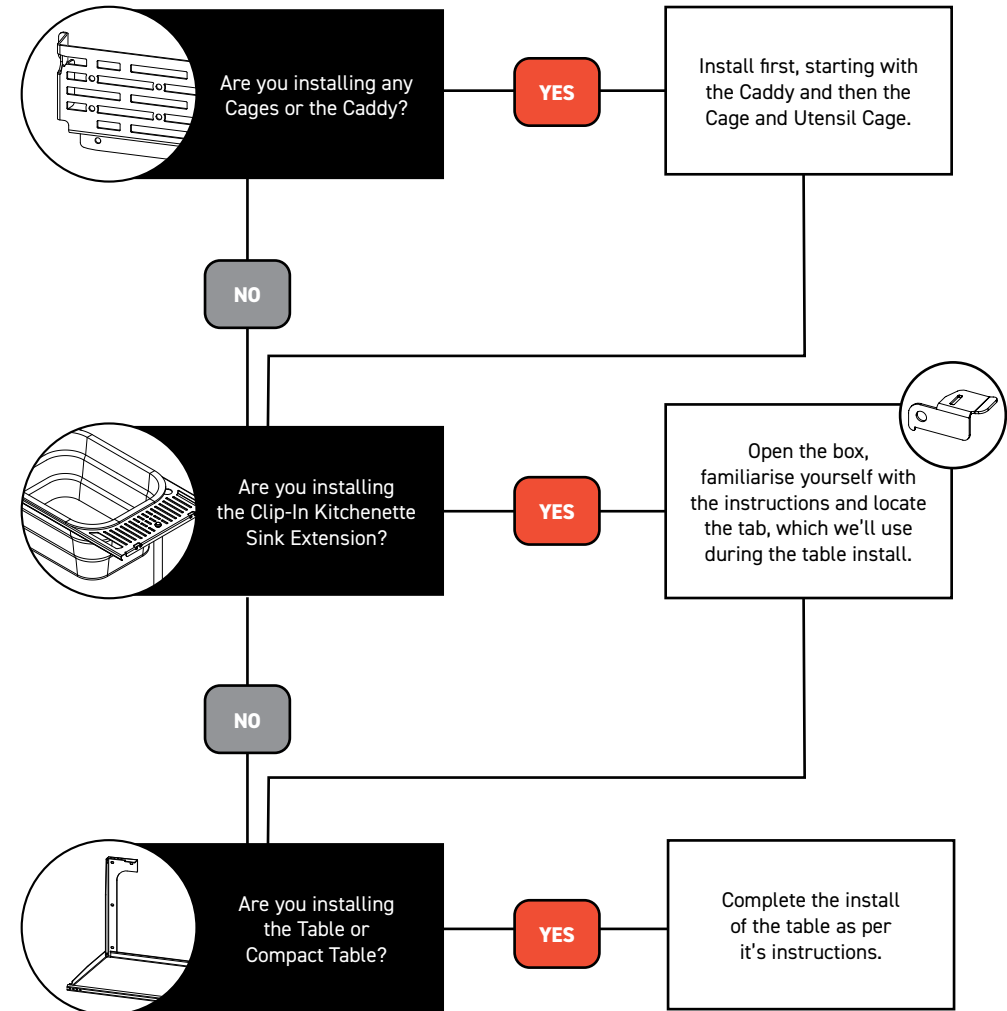
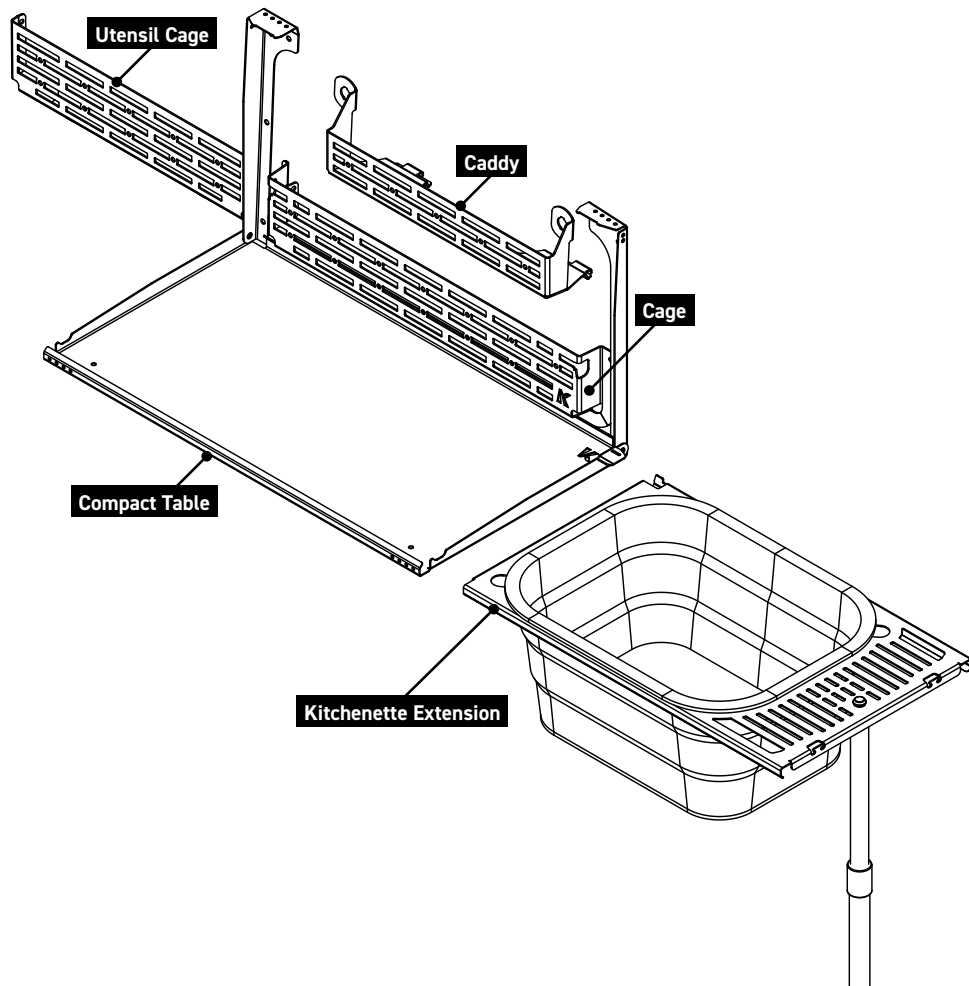
30 minutes / Half a beer

Scan the **QR code** to watch the video installation guide,
or for further information contact KAON on **07 3180 1470** or info@kaon.com.au



It all works together.

All our rear door products work together, but there is a certain order to installing. Installing multiple products? Here's the the best way for your configuration.



With the order sorted, let's get to the good part: installing. →

Let's get to work.

Bracket Installation

1. Ensure you are following the install order on page 3. If you are also installing any Cages or the Caddy, we recommend tackling them first.
2. Position the table bracket on the rear door. You want to ensure it lines up with the curved corner of the hatch, allowing a 3mm gap between the edge and the brackets.
3. Mark the placement of the 3 holes.
4. Drill a 3mm hole in the top right hole of the bracket, and attach the bracket using one of the supplied self-tapping screws.
5. Drill the other remaining holes of the bracket and insert the self-tapping screws in place.
6. For the left hand side bracket, repeat the process: align with the hatch, leave a 3mm gap and then drill the top left hole first. Drill the remaining 3mm holes and attach the bracket using self-tapping screws.
7. Whatever you do, **DO NOT OVERTIGHTEN** the screws.



Table Installation

8. Attach the table to the LHS bracket using the M8 button head screw and M8 round washer and tighten with the M8 nyloc nut. Ensure the table sits on the outside of the bracket and the washer is between the table and the bracket.
9. Repeat the process for the RHS table bracket.

If you are also installing the Kitchenette Clip-In Sink Extension:

Sandwich the supplied tab bracket between the washer and table on the RHS. Position the tab bracket so the holes line up and the tab bracket hangs over the right-hand side of the table, as pictured.

10. Tighten the bolts so that there is some resistance, whilst still letting the table open and close easily.

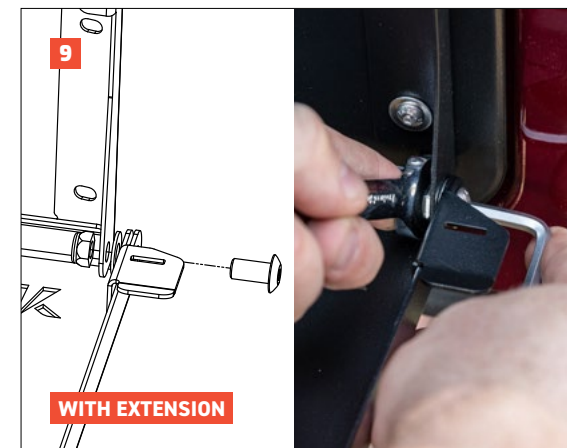
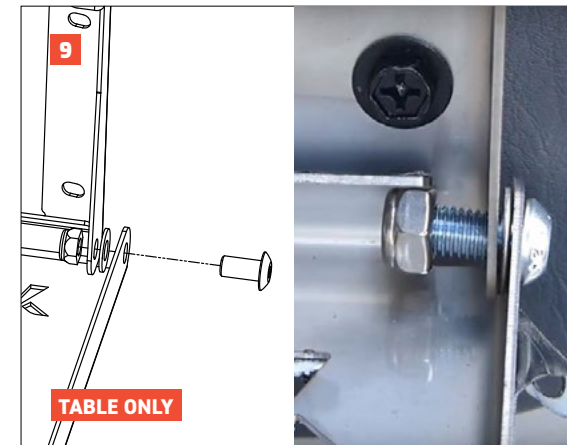


Table Installation cont.

11. To attach the support line, weave the paracord through the top holes of the bracket.
12. Weave the paracord through the bottom holes of the bracket.
13. Repeat on other side.
14. To install the bungee button, align the plastic cord button in the hole on the outer surface of the table and affix using the M5 x 16 dome head bolt and nyloc nut.



Table Installation cont

15. That's it, you're done!
16. If you're installing a Kitchenette Clip-In Sink Extension or a Clip-In Chopping Board, refer to the instructions provided with them.



Optional Step

We've found some folks prefer the extra security of bolting through the plastic panel. If this sounds like you, here's what you need to do:

1. Remove the rear door table by removing 6 self tapping screws.
2. Carefully remove the plastic panel off the rear door.
3. Drill and enlarge the mounting holes to 5mm.
4. Attach the brackets to the plastic panel using M5 dome head bolts, washers and nyloc nuts. Place the supplied washer on the inside of the plastic panel.
5. Check the position of the brackets and tighten all mounting bolts.
6. Reassemble the plastic panel and rear door table.



Local Knowledge & Assistance

We know half the fun of building your dream 4x4 is getting your hands dirty. But we also know that sometimes, things don't go to plan. If in the pursuit to build the ultimate setup you find yourself off-track, we're here to help you get unstuck.

For further information call 07 3180 1470 or email info@kaon.com.au

Disclaimer: The products sold by KAON should not be modified, and are for use only on the vehicles specifically stated. KAON will not be liable for any damages arising out of the use or misuse of it's products. It is the customers responsibility to ensure the products are safely and properly used and installed. KAON consistently seeks to improve it's products and reserves the right to make changes to any product.