



FITTING INSTRUCTIONS FOR

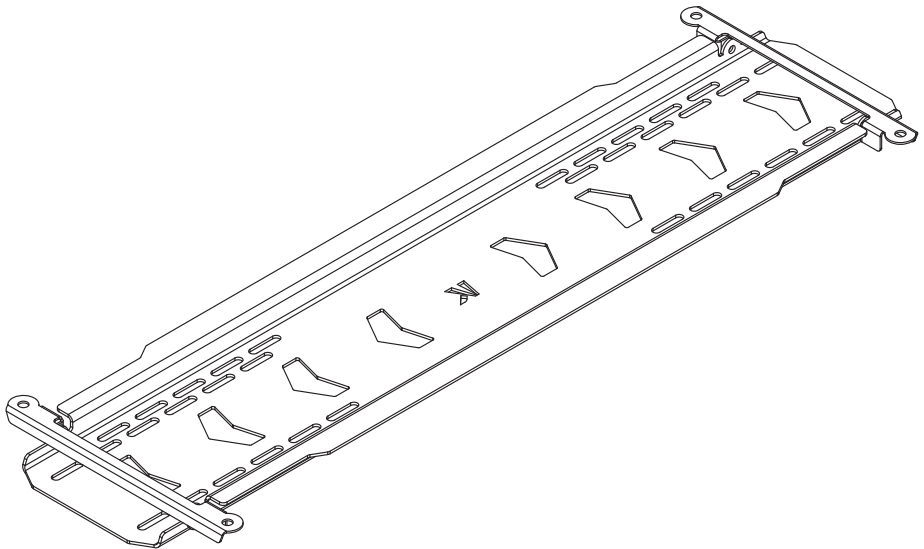
Folding Maxtrax & TRED Mounting Board

SKU

KS0570

COMPATIBILITY

Cross Bars



Included contents

QTY	COMPONENT
1	Folding Maxtrax & TRED Mounting Board
4	M8 Drop & Turn Tee Bolt
4	M8 Nyloc Nut
4	M8 x 24 x 2.0 DIN Flat Washer

Also required

QTY	COMPONENT
4	Maxtrax or TRED Mounting Pins



Time

10 minutes / few sips of beer

For further information contact KAON on **07 3180 1470** or info@kaon.com.au

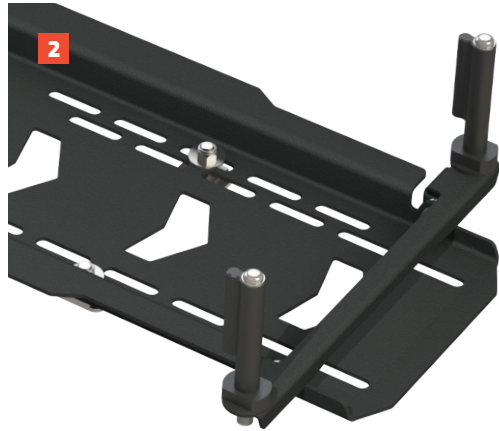
Bolt Torque

DIAMETER (mm)	5mm	6mm	8mm	10mm	12mm
NEWTON-METRES (Nm)	5 Nm	9 Nm	22 Nm	44 Nm	77 Nm

Let's get to work.

Preparation

1. It's best if we get the mounting pins attached to the Mounting Board first. If you ordered a set of pins, these will have been included. If you already had some, that's great! If you've lost them, we know a place you can buy some...
2. The genuine Maxtrax Mounting Pin Set contains 4 x pins, 4 x nyloc nuts and 4 x washers. We find it easiest to attach the pins to the mount by holding the pin in place with a spanner, while using a socket to tighten the nut. Ensure the pins are mounted to the folding bracket correctly, as pictured.
3. Ensure the final position of the pin matches the same orientation as the keyholes of your Maxtrax. This can vary, depending on your desired bracket placement.

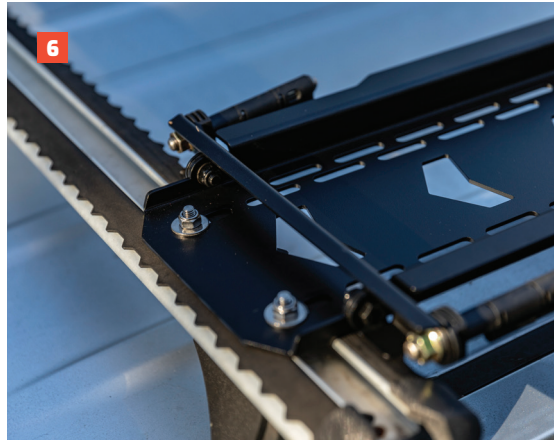


Installation

4. Workout the desired placement of the Mounting Board in relation to your cross bars. Ensure that mounting channels in the rack are in alignment with the slots in the the board, as pictured.

Please note: the distance between cross bars can be a maximum of 960mm. If your cross bars are further apart, you may need to adjust them if possible.

5. In the Mounting Board slots determined in the previous step, place a tee bolt from underneath, securing loosely from the top with a washer and nyloc nut.
6. Thread the tee bolts into the cross bar channels and twist to seat the nuts across the channel opening. Tighten to secure.
7. That's it, you're done!
Now you can save space in your vehicle and easily mount your recovery boards in a convenient spot on your roof rack.





Local Knowledge & Assistance

We know half the fun of building your dream 4x4 is getting your hands dirty. But we also know that sometimes, things don't go to plan. If in the pursuit to build the ultimate setup you find yourself off-track, we're here to help you get unstuck.

For further information call 07 3180 1470 or email info@kaon.com.au

Disclaimer: The products sold by KAON should not be modified, and are for use only on the vehicles specifically stated. KAON will not be liable for any damages arising out of the use or misuse of its products. It is the customers responsibility to ensure the products are safely and properly used and installed. KAON consistently seeks to improve its products and reserves the right to make changes to any product.