



FITTING INSTRUCTIONS FOR

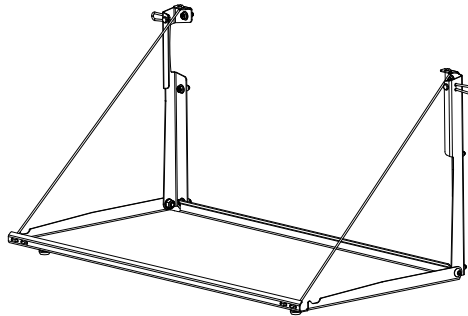
# Rear Door Drop Down Table

SKU

**KS0554**

COMPATIBILITY

**Jeep Wrangler JK**



## Included contents

QTY	COMPONENT	QTY	COMPONENT
1	Rear Door Table	6	M6 x 16 Button Head Socket Screw
2	Mounting Brackets	6	M6 Nutsert
2	Lengths of Paracord	2	M8 Nyloc Nut
2	M8 x 17 x 1.2 Washer	2	Plastic Cord Buttons
2	M8 x 16 Button Socket Head Screw	2	M5 x 15 DIN Washers
1	M6 x 25 Socket Head Cap Screw	2	M5 Nyloc Nuts
1	M8 Serrated Flanged Nut	2	M5 x 16 Button Head Cap Screw



**Time**

45 minutes / Most of a beer

Scan the **QR code** to watch the video installation guide,  
or for further information contact KAON on **07 3180 1470** or [info@kaon.com.au](mailto:info@kaon.com.au)



## **Bolt Torque**

<b>DIAMETER (mm)</b>	5mm	6mm	8mm	10mm	12mm
<b>NEWTON-METRES (Nm)</b>	5 Nm	9 Nm	22 Nm	44 Nm	77 Nm

# Let's get to work.

## Preparation

1. First things first, we need to mark the placement for the mounting bracket holes on the rear door. The easiest way to do that is to measure off the rear plastic trim piece.
2. For the RHS placement, mark 20mm up from the trim in a few places. Place a ruler along these lines and convert that 20mm mark across to the right mounting location.
3. Then intersect the mark with another line, 55mm across from the edge of the trim. This is the drilling mark for the top RHS nutsert.
4. For the LHS placement, mark 20mm up from the trim, and intersect the mark 50mm across from the trim edge. This is the drilling mark for the top LHS nutsert.



## Installation

1. Using a 3mm drill bit, carefully drill a pilot hole in the marked position. Carefully open up the pilot holes using a 9.5mm drill bit. If you have a stepped drill bit available, it will make this easier. Repeat for the other side.
2. Use a cotton tip and some paint to tidy up the inside of the holes and prevent rust.
3. If you have a nutsert gun, use it to install the nutserts. Otherwise, set up the nutsert on the provided M8 serrated nut and M6 bolt as pictured. Using an allen key and a ring spanner, we recommend starting the nutsert until there is a slight bulge. Then set the nutsert into the drilled hole and tighten until you feel that it has clamped onto the vehicle. Once set, remove the bolt and serrated nut, leaving the nutsert in the rear door. Repeat for the other hole.
4. We need to install the table in order to mark the placement for the remaining 4 nutserts. First, secure the brackets to the nutserts in the rear door using the M6 bolts. The bracket with the cutout is installed on the left, to clear the trim. Attempt to get the brackets as parallel as possible.



## Installation cont.

5. Attach the table using the M8 button head screws and M8 round washers, and tighten with the M8 nyloc nuts. Ensure the table sits on the outside of the bracket and the washer is between the table and the bracket.
6. Repeat on the other side.
7. To attach the support line, weave the cord through the holes of table as shown. This allows the table level to be easily adjusted, while remaining secure. Tie the other end to the bracket holes with a basic knot. Repeat on other side.
8. Ensuring the brackets and table are sitting straight and parallel, mark the placement for the remaining 4 nutserts.
9. Uninstall the table by removing the top two bolts, and place to one side. Repeat steps 1-3 to install nutserts in the 4 marked locations.



## Finishing the Installation

10. With all nutserts complete, it's time to properly install the table. Secure the mounting brackets with the two top bolts first.
11. Install all remaining bolts. To access the bottom left bolt we recommend undoing the left hand side table hinge, as pictured.
12. Confirm the positioning of the table and tighten all bolts.
13. To install the bungee buttons, place the M5 button head screw through the the front of the button, and secure to the front of the table with the nyloc nut.
14. That's it! We're all done – your new table is ready to go!





## Local Knowledge & Assistance

We know half the fun of building your dream 4x4 is getting your hands dirty. But we also know that sometimes, things don't go to plan. If in the pursuit to build the ultimate setup you find yourself off-track, we're here to help you get unstuck.

For further information call 07 3180 1470 or email [info@kaon.com.au](mailto:info@kaon.com.au)

Disclaimer: The products sold by KAON should not be modified, and are for use only on the vehicles specifically stated. KAON will not be liable for any damages arising out of the use or misuse of its products. It is the customers responsibility to ensure the products are safely and properly used and installed. KAON consistently seeks to improve its products and reserves the right to make changes to any product.