



FITTING INSTRUCTIONS FOR

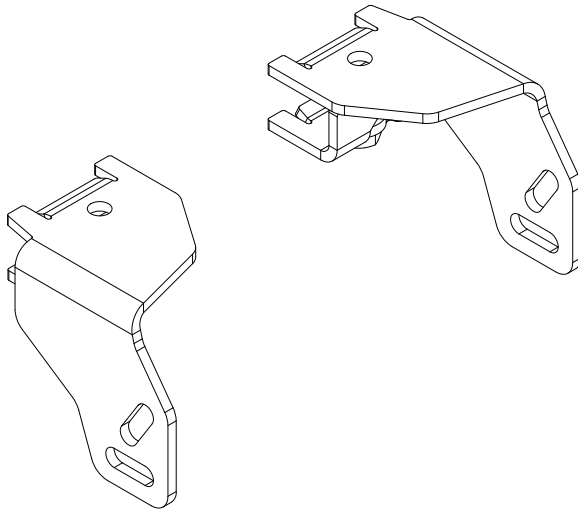
Light Bar Bracket

SKU

KS0463

COMPATIBILITY

ARB BASE Rack



Included contents

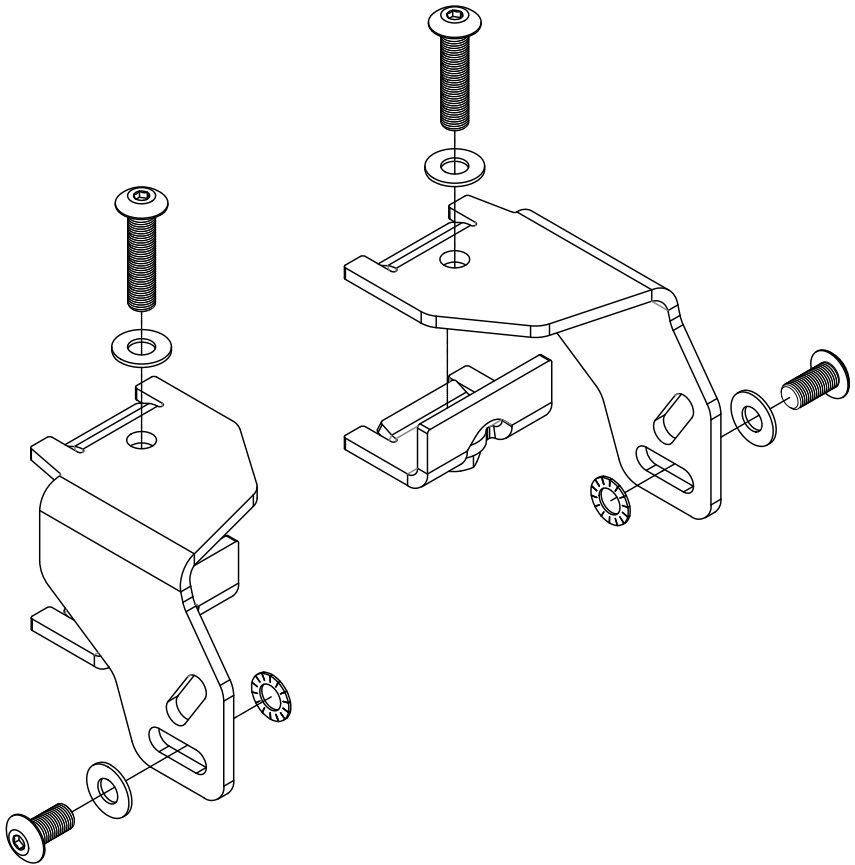
QTY	COMPONENT	QTY	COMPONENT
2	Light Bar Bracket (LHS & RHS)	2	M8 x 16 Button Head Socket Screw
2	Bottom Clamp	2	M8 x 35 Button Head Cap Screw
4	M8 x 17 x 1.2 Washer	2	M8 Serrated Washer



Time

15mins / Few swigs of beer

For further information contact KAON on **07 3180 1470** or info@kaon.com.au



Bolt Torque

DIAMETER (mm)	5mm	6mm	8mm	10mm	12mm
NEWTON-METRES (Nm)	5 Nm	9 Nm	22 Nm	44 Nm	77 Nm

Let's get to work.

Installation

1. As all the hardware is Stainless Steel, we recommend preparing your brackets by placing anti-seize compound into the clamp threads.
2. First up, determine the preferred mounting placement for your brackets. You can opt to have them oriented upwards or downwards (pictured), as well as facing inwards or outwards.
3. With positioning confirmed, loosely attach the smaller clamping plate to the main bracket using the provided M8 bolt and washer.

4. Align the clamp with the edge of the roof rack, ensuring the clamp is seated correctly in the dovetail joint, flush against the roof rack. Ensure there are no gaps and that the clamping flanges are positively engaged on the dovetail.

If you have a wind deflector installed, it might need to be adjusted to ensure the bottom clamp seats properly against the dovetail.

Work out the desired placement based on the length of your lightbar, and loosely secure using a hex key.

5. Next, we need to mount your light bar. We provide M8 hardware to suit Stedi lights, but if your light bar uses different hardware you will need to source this. Place the serrated washer between the light bar and bracket, and secure with button head bolt and washer.
6. Repeat for the other side before tightening all bolts.
7. That's it, you're done! Now it's over to you for cable management and wiring.





Local Knowledge & Assistance

We know half the fun of building your dream 4x4 is getting your hands dirty. But we also know that sometimes, things don't go to plan. If in the pursuit to build the ultimate setup you find yourself off-track, we're here to help you get unstuck.

For further information call 07 3180 1470 or email info@kaon.com.au

Disclaimer: The products sold by KAON should not be modified, and are for use only on the vehicles specifically stated. KAON will not be liable for any damages arising out of the use or misuse of its products. It is the customers responsibility to ensure the products are safely and properly used and installed. KAON consistently seeks to improve its products and reserves the right to make changes to any product.