



FITTING INSTRUCTIONS FOR

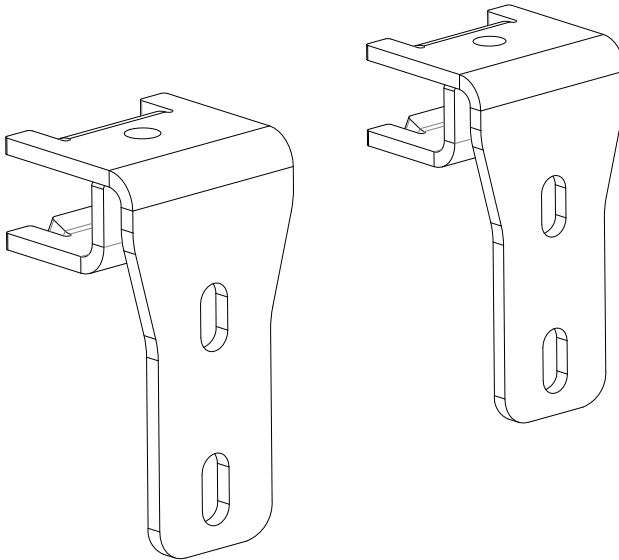
# Awning Bracket (Set of 2)

SKU

**KS0375**

COMPATIBILITY

**ARB BASE Rack**



## Included contents

QTY	COMPONENT	QTY	COMPONENT
2	Awning Bracket	2	M8 x 40 Button Head Cap Screw
2	Clamping Plate	2	M8 x 17 Washer



**Time**

30 minutes / Half a beer

For further information contact KAON on **07 3180 1470** or [info@kaon.com.au](mailto:info@kaon.com.au)

<b>Bolt Torque</b>					
<b>DIAMETER (mm)</b>	5mm	6mm	8mm	10mm	12mm
<b>NEWTON-METRES (Nm)</b>	5 Nm	9 Nm	22 Nm	44 Nm	77 Nm

# Let's get to work.

---

## Installation

1. Loosely attach the smaller clamping plate to the main bracket using an M8 bolt and washer as pictured.
2. Work out the desired placement of the brackets in relation to your awning and roof rack. Depending on your setup, you may wish to run the bracket facing up or downwards.
3. As all the hardware is Stainless Steel, we highly recommend placing some anti-sieze compound into the Clamp threads.
4. Align the clamp with the edge of the roof rack, ensuring the clamp is seated correctly in the dovetail join, flush against the roof rack. Ensure there are no gaps and that the clamping flanges are positively engaged on the dovetail. Tighten using a hex key.
5. Repeat for the remaining brackets.
6. Secure your awning to the brackets. Due to the sheer number of awning variations, we can't supply the hardware for this. So if you don't have the required hardware on hand, a trip to the shops may be in order.
7. That's it! All that's left to do is to head to the beach, open your awning and enjoy the shade.

1



2



3





## **Local Knowledge & Assistance**

We know half the fun of building your dream 4x4 is getting your hands dirty. But we also know that sometimes, things don't go to plan. If in the pursuit to build the ultimate setup you find yourself off-track, we're here to help you get unstuck.

**For further information call 07 3180 1470 or email [info@kaon.com.au](mailto:info@kaon.com.au)**

Disclaimer: The products sold by KAON should not be modified, and are for use only on the vehicles specifically stated. KAON will not be liable for any damages arising out of the use or misuse of its products. It is the customers responsibility to ensure the products are safely and properly used and installed. KAON consistently seeks to improve its products and reserves the right to make changes to any product.