



FITTING INSTRUCTIONS FOR

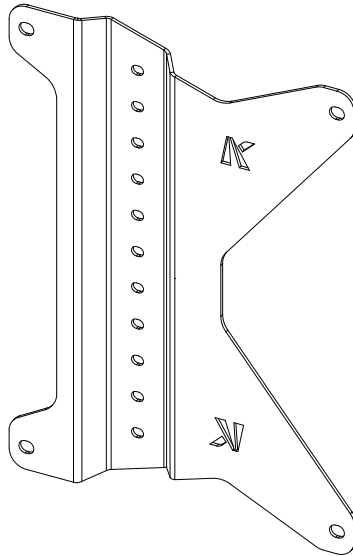
Out-Back Maxtrax Mini Mount

SKU

KS0400


COMPATIBILITY

Out-Back Spare Tyre Mount



Included contents	
QTY	COMPONENT
1	Out-Back Maxtrax Mini Mount
2	M8x16 Flanged Hex Bolts
2	M8 Flanged Nuts
4	M8 Din Washers

Also required	
QTY	COMPONENT
1	Out-Back Spare Tyre Mount & Strap
4	Maxtrax Pins

 Time	5 minutes / A sip of beer!
---	----------------------------

For further information contact KAON on **07 3180 1470** or info@kaon.com.au

Bolt Torque

DIAMETER (mm)	5mm	6mm	8mm	10mm	12mm
NEWTON-METRES (Nm)	5 Nm	9 Nm	22 Nm	44 Nm	77 Nm

Let's get to work.

Preparation

1. It's best if we get the mounting pins attached to the Maxtrax Mini Mounts first. If you ordered a set of pins, these will have been included. If you already had some, that's great! If you've lost them, we know a place you can buy some...
2. The genuine Maxtrax Mounting Pin Set contains 4 x ins, 4 x nyloc nuts and 4 x washers. We find it easiest to attach the pins to the Maxtrax Mini Mounts by holding the pin in place with a spanner, while using a socket to tighten the nut.
3. Ensure the final position of the pin matches the same orientation as the keyholes of your Maxtrax.



Installation

1. Attach the Maxtrax Mini Mount to the Spare Tyre Mount. We recommend sitting the mounts up against the tyre to work out what positioning will work best for your setup, ensuring that your rear door or rear bar swingaway are able to open unaffected.
2. Secure the Maxtrax Mini Mount to the Spare Tyre Mount using the M8 bolts, nuts and washers.
3. Position the Spare Tyre Mount on the tyre, and secure with the provided ratchet strap. We advise ensuring that the hooks are facing outwards with the ratchet at the top of the tyre.
4. That's it, you're ready to hit the road!





Local Knowledge & Assistance

We know half the fun of building your dream 4x4 is getting your hands dirty. But we also know that sometimes, things don't go to plan. If in the pursuit to build the ultimate setup you find yourself off-track, we're here to help you get unstuck.

For further information call 07 3180 1470 or email info@kaon.com.au

Disclaimer: The products sold by KAON should not be modified, and are for use only on the vehicles specifically stated. KAON will not be liable for any damages arising out of the use or misuse of its products. It is the customers responsibility to ensure the products are safely and properly used and installed. KAON consistently seeks to improve its products and reserves the right to make changes to any product.