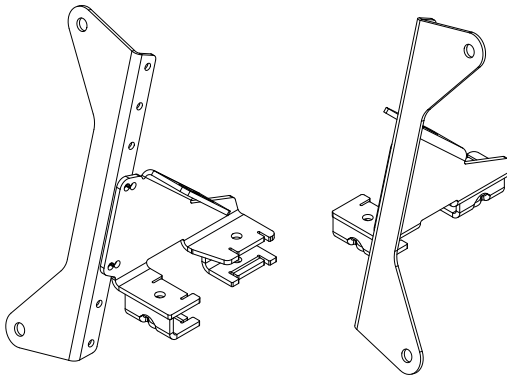




FITTING INSTRUCTIONS FOR

Side Angled Maxtrax Mounts

SKU KS0419	VARIANT Fixed	COMPATIBILITY ARB BASE Rack
----------------------	-------------------------	---------------------------------------



Included contents

QTY	COMPONENT	QTY	COMPONENT
1	Roof Rack Bracket LHS	4	M8 x 35 Button Head Cap Screw
1	Roof Rack Bracket RHS	4	M8 x 17 Washer
2	Mounting Bracket	4	M6 x 16 Socket Head Cap Screw
4	Clamping Plate	4	M6 Nyloc Nuts

Also required

QTY	COMPONENT
4	MAXTRAX Mounting Pins



Time

15 mins / Few swigs of beer

For further information contact KAON on **07 3180 1470** or info@kaon.com.au

Bolt Torque

DIAMETER (mm)	5mm	6mm	8mm	10mm	12mm
NEWTON-METRES (Nm)	5 Nm	9 Nm	22 Nm	44 Nm	77 Nm

Let's get to work.

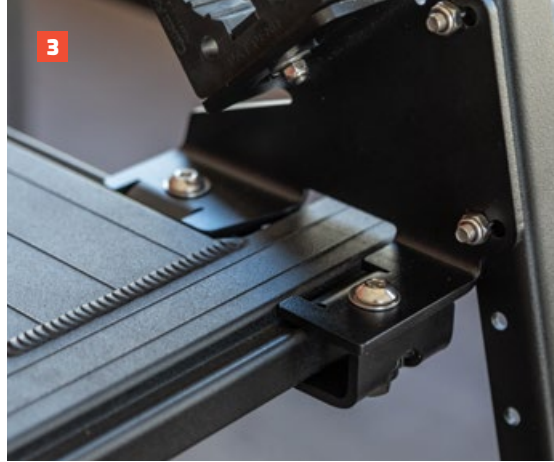
Preparation

1. It's best if we get the mounting pins attached to the Mounting Bracket first. If you ordered a set of pins, these will have been included. If you already had some, that's great! If you've lost them, we know a place you can buy some...
2. The genuine Maxtrax Mounting Pin Set contains 4 x pins, 4 x nyloc nuts and 4 x washers. We find it easiest to attach the pins to the Stealth Mounts by holding the nut in place with a spanner, while using a pin to tighten the pin.
3. Ensure the final position of the pin matches the same orientation as the keyholes of your Maxtrax. This can vary, depending on your desired mount placement.
4. Using the provided M6 screws and nuts, loosely attach the Mounting Bracket to the Roof Rack Bracket as pictured. Then use the provided M8 screws and washers to loosely affix the Clamping Plates to the Roof Rack Brackets by a few threads, with the clamp openings facing as pictured.



Installation

1. As all the hardware is Stainless Steel, we highly recommend placing some anti-sieze compound into the Clamp threads.
2. First, confirm placement of the Roof Rack Brackets on your rack. The set includes one RHS and one LHS bracket. Select the final position you wish to mount your Maxtrax Mounts. The pins will need to be 890mm apart in their final position.
3. Position the Clamping Plates as pictured. Ensure there are no gaps and that the clamps are positively engaged on the dovetail. With correct alignment confirmed, use a Hex key bit to tighten.
4. Confirm the positioning of your mounts, and then, if necessary, adjust the height and angle of the Mounting Bracket to suit your application.
5. Now you're ready to start rocking your Maxtrax! Use the pin locking mechanism to secure either 2 or 4 tracks. You can even use a small padlock if you want to keep them extra secure while you're out and about.





Local Knowledge & Assistance

We know half the fun of building your dream 4x4 is getting your hands dirty. But we also know that sometimes, things don't go to plan. If in the pursuit to build the ultimate setup you find yourself off-track, we're here to help you get unstuck.

For further information call 07 3180 1470 or email info@kaon.com.au

Disclaimer: The products sold by KAON should not be modified, and are for use only on the vehicles specifically stated. KAON will not be liable for any damages arising out of the use or misuse of its products. It is the customers responsibility to ensure the products are safely and properly used and installed. KAON consistently seeks to improve its products and reserves the right to make changes to any product.