



FITTING INSTRUCTIONS FOR

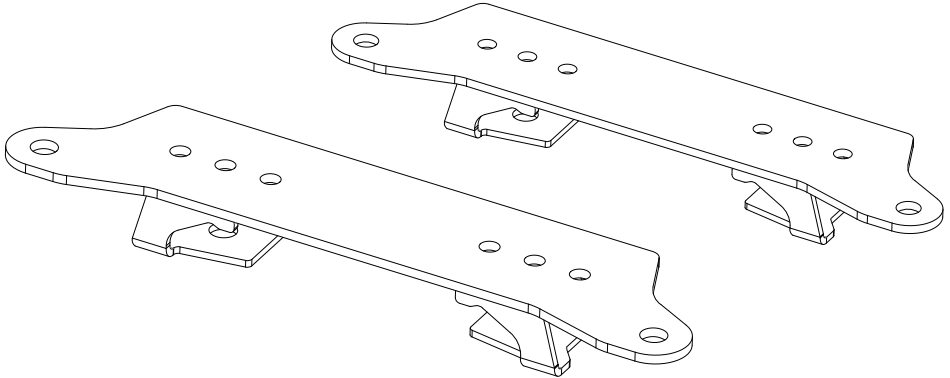
Flush Flat Maxtrax Mounts

SKU

KS0417

COMPATIBILITY

ARB BASE Rack



Included contents

QTY	COMPONENT
2	Flush Flat Maxtrax Mount
4	Slat Clamp
4	M8 x 45 Button Head Cap Screw
4	M8 x 17 Washer

Also required

QTY	COMPONENT
4	MAXTRAX Mounting Pins



Time

15 mins / Few sips of beer

For further information contact KAON on **07 3180 1470** or info@kaon.com.au

Bolt Torque

DIAMETER (mm)	5mm	6mm	8mm	10mm	12mm
NEWTON-METRES (Nm)	5 Nm	9 Nm	22 Nm	44 Nm	77 Nm

Let's get to work.

Preparation

1. It's best if we get the mounting pins attached to the Flush Flat Mounts first. If you ordered a set of pins, these will have been included. If you already had some, that's great! If you've lost them, we know a place you can buy some...
2. The genuine Maxtrax Mounting Pin Set contains 4 x pins, 4 x nyloc nuts and 4 x washers. We find it easiest to attach the pins to the Stealth Mounts by holding the nut in place with a spanner, while using a spanner to tighten the pin.
3. Ensure the final position of the pin matches the same orientation as the keyholes of your Maxtrax. This can vary, depending on your desired mount placement.



Installation

1. As all the hardware is Stainless Steel, we highly recommend placing some anti-sieze compound into the Clamp threads.
2. Flush Flat Mounts can only be mounted East-West (*with* the slats). Select the slat you wish to mount your Maxtrax on, and place a clamps on each side of the slat as shown. Ensure there are no gaps and that the clamps are positively engaged on the dovetail.
3. Place the Flush Flat Mount above, and use the provided screw and washer to secure it to the clamps.
4. Repeat the process further down the slat, making sure the distance between the sets of pins of each mount is 890mm.
5. Once both bolts are secure, test the spacing of your mounts by lining up a single Maxtrax track with the pins.
6. With correct alignment confirmed, use a Hex key bit to tighten.
7. Now you're ready to start rocking your Maxtrax! Use the pin locking mechanism to secure either 2 or 4 tracks. You can even use a small padlock if you want to keep them extra secure while you're out and about.





Local Knowledge & Assistance

We know half the fun of building your dream 4x4 is getting your hands dirty. But we also know that sometimes, things don't go to plan. If in the pursuit to build the ultimate setup you find yourself off-track, we're here to help you get unstuck.

For further information call 07 3180 1470 or email info@kaon.com.au

Disclaimer: The products sold by KAON should not be modified, and are for use only on the vehicles specifically stated. KAON will not be liable for any damages arising out of the use or misuse of its products. It is the customers responsibility to ensure the products are safely and properly used and installed. KAON consistently seeks to improve its products and reserves the right to make changes to any product.