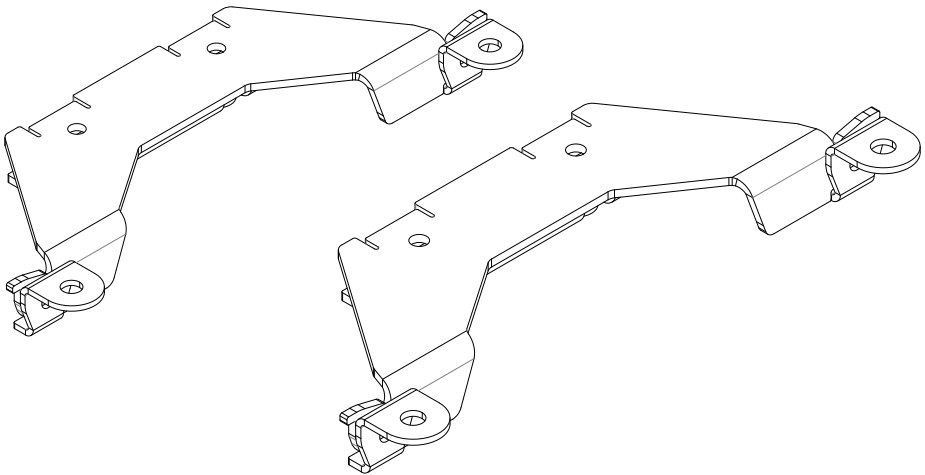




FITTING INSTRUCTIONS FOR


Stealth Folding Maxtrax Mounts

SKU	VARIANT	COMPATIBILITY
KS0415	North-South	ARB BASE Rack



Included contents	
QTY	COMPONENT
2	Stealth Folding Maxtrax Mount
2	Clamping Plate
4	M8 x 40 Button Head Cap Screw
4	M8 x 17 Washer

Also required	
QTY	COMPONENT
4	MAXTRAX Mounting Pins

 Time	15 mins / Few swigs of beer
---	-----------------------------

For further information contact KAON on **07 3180 1470** or info@kaon.com.au

Bolt Torque

DIAMETER (mm)	5mm	6mm	8mm	10mm	12mm
NEWTON-METRES (Nm)	5 Nm	9 Nm	22 Nm	44 Nm	77 Nm

Let's get to work.

Preparation

1. It's best if we get the mounting pins attached to the Stealth Mounts first. If you ordered a set of pins, these will have been included. If you already had some, that's great! If you've lost them, we know a place you can buy some...
2. The genuine Maxtrax Mounting Pin Set contains 4 x pins, 4 x nyloc nuts and 4 x washers. We find it easiest to attach the pins to the Stealth Mounts by holding the nut in place with a spanner, while using a spanner to tighten the pin.
3. Ensure the final position of the pin matches the same orientation as the keyholes of your Maxtrax. This can vary, depending on your desired mount placement.



Installation

1. As all the hardware is Stainless Steel, we highly recommend placing some anti-sieze compound into the Clamp threads.
2. Using the provided M8 screws and washers, loosely affix the Clamping Plate to the Stealth Mount by a few threads, with the clamp openings facing as pictured.
3. Stealth Mounts can only be mounted North-South (across the slats). Select the slat you wish to mount your Maxtrax on, and place the Mount and Clamp on one side of the slat as shown. Ensure there are no gaps and that the clamps are positively engaged on the dovetail.
4. Repeat the process further down the slat, making sure the distance between the sets of pins of each mount is 890mm. On the ARB BASE Rack, this will be three slats, as shown.
5. Once the screws are secure, test the spacing of your mounts by lining up a single Maxtrax track with the pins.
6. With correct alignment confirmed, use a Hex key bit to tighten.
7. Now you're ready to start rocking your Maxtrax! Use the pin locking mechanism to secure either 2 or 4 tracks. You can even use a small padlock if you want to keep them extra secure while you're out and about. And the best bit? When they're not in use you can simply fold them flat.

2



3



4



6





Local Knowledge & Assistance

We know half the fun of building your dream 4x4 is getting your hands dirty. But we also know that sometimes, things don't go to plan. If in the pursuit to build the ultimate setup you find yourself off-track, we're here to help you get unstuck.

For further information call 07 3180 1470 or email info@kaon.com.au

Disclaimer: The products sold by KAON should not be modified, and are for use only on the vehicles specifically stated. KAON will not be liable for any damages arising out of the use or misuse of its products. It is the customers responsibility to ensure the products are safely and properly used and installed. KAON consistently seeks to improve its products and reserves the right to make changes to any product.