



FITTING INSTRUCTIONS FOR

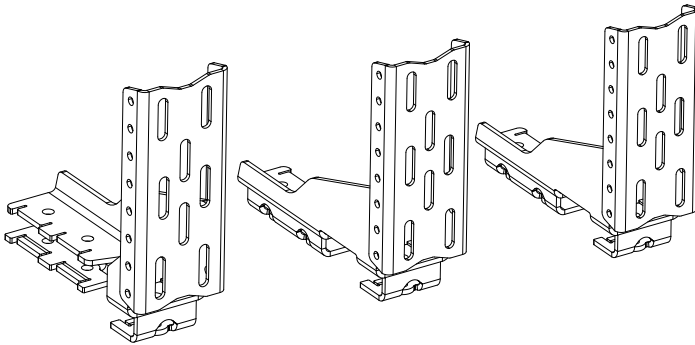
Universal 270 Degree Awning Bracket Set

SKU

KSO413

COMPATIBILITY

ARB BASE Rack



Included contents

QTY	COMPONENT
1	Roof Rack Bracket (RHS)
2	Roof Rack Bracket (LHS)
3	Adjustable Awning Bracket
3	Outer Bottom Clamp
3	Inner Slat Bottom Clamp
9	M8 x 35 Button Head Cap Screw
9	M8 x 17 Washer
9	M6 x 16 Socket Head Cap Screw
9	M6 Nyloc Nut

Also required (not included)

Hardware to mount Awning to Bracket
(Varies - generally 6 or 12 bolts and nuts)

A couple of helpful mates (We couldn't fit them in the box)



Time

45 minutes / A six pack for you & your mates

For further information contact KAON on **07 3180 1470** or info@kaon.com.au

Bolt Torque

DIAMETER (mm)	5mm	6mm	8mm	10mm	12mm
NEWTON-METRES (Nm)	5 Nm	9 Nm	22 Nm	44 Nm	77 Nm

NOTICE

These awning brackets are suitable for awnings up to 40kg.

Let's get to work.

Preparation

1. It's best if we get the Awning Brackets attached to the awning first. Due to the sheer number of awning variations, we can't supply the hardware for this. So if you don't have the required hardware on hand, a trip to the shops may be in order. Each bracket requires either one or two bolts and nuts in the each channel.
2. Most awnings use a channel system, so insert the awning bolts into the channel and slide them roughly into position.
3. As all the hardware is Stainless Steel, we highly recommend placing some anti-sieze compound into the Clamp threads.
4. Using the provided M8 screws and washers, loosely affix the Outer and Inner Bottom Clamps to the Roof Rack Brackets by a few threads, with the clamp openings facing as pictured.



Installing the Bracket

1. First, confirm placement of the brackets on your rack. The set includes one RHS and two LHS brackets. To ensure load is distributed across the rack, we recommend placing the RHS bracket at the front and the two LHS brackets towards the back, where the awning hinge sits.
2. Position the Roof Rack Bracket Outer and Inner clamps as pictured.
3. Ensure the Outer and Inner clamps are mounted securely and evenly to the dovetail. Ensure there are no gaps and that the clamping flanges are positively engaged on the dovetail. Tighten with a hex key.
4. Confirm the height setting you want to use for the Adjustable Awning Bracket. This will vary based on your vehicle setup and awning size. Once confirmed, attach the Adjustable Awning Bracket using the provided M6 screws and nyloc nuts, and tighten.



Installing the Awning

1. This is the part where you'll need a mate, or two, to help.
2. Lift the awning into the desired position, seating the awning bolts through the Adjustable Awning Bracket mounting points. Hold in place while loosely securing the top bolts. Ensure that the awning's weight is supported until all bolts are secured.
3. We recommend opening the awning at this point to confirm that the hinge is in the desired position in relation to the rear of your setup.
4. Once you've confirmed placement of the awning, tighten all screws to recommended torque.
5. As with all hardware on your vehicle, we recommend checking the screws are tight from time to time, especially when travelling in adverse conditions.
6. That's it! All that's left to do is to head to the beach, open your 270° awning and enjoy the shade.



Local Knowledge & Assistance

We know half the fun of building your dream 4x4 is getting your hands dirty. But we also know that sometimes, things don't go to plan. If in the pursuit to build the ultimate setup you find yourself off-track, we're here to help you get unstuck.

For further information call 07 3180 1470 or email info@kaon.com.au

Disclaimer: The products sold by KAON should not be modified, and are for use only on the vehicles specifically stated. KAON will not be liable for any damages arising out of the use or misuse of its products. It is the customers responsibility to ensure the products are safely and properly used and installed. KAON consistently seeks to improve its products and reserves the right to make changes to any product.