



FITTING INSTRUCTIONS FOR

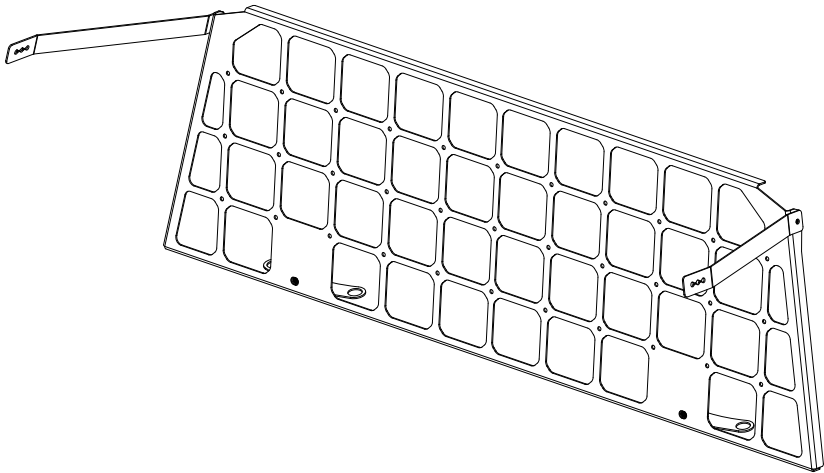
Light Cargo Barrier

SKU

KS0020

COMPATIBILITY

Toyota LandCruiser LC76



Included contents

QTY	COMPONENT	QTY	COMPONENT
1	Light Cargo Barrier	2	M6 x 16 Flanged Hex Bolt G8.8
2	Head Rest Bracket	4	M6 X 18 X 1.6 DIN Flat Washer
2	Barrier Bracket	2	M10 x 20 Button Head Socket Screw
2	M6 Adjustable Machinery Handle	2	M10 x 30 x 2.5 DIN Flat Washer



Time

30 minutes / Half a beer

For further information contact KAON on **07 3180 1470** or info@kaon.com.au

NOTICE

This barrier has not been tested to Australian Standards, and is intended as a pet barrier or for use when off-road. We cannot confirm compatible fitment of this barrier with child restraints, due to the number of possible variations. Whilst it may work with your configuration, we recommend the use of a seat belt protector where any contact occurs between any seat belt or restraint and the barrier.

Bolt Torque

DIAMETER (mm)	5mm	6mm	8mm	10mm	12mm
NEWTON-METRES (Nm)	5 Nm	9 Nm	22 Nm	44 Nm	77 Nm

Let's get to work.

Preparation

1. Remove headrests.
2. Slide the headrest brackets onto the headrests.
3. Position the bracket so that the M10 tab points up and towards the back of the head rest.



Installation

1. Position the barrier behind the headrests and loosely secure with the M10 dome head bolts and M10 washers.
2. Secure the barrier bracket to the barrier with M6 bolts and M6 washers.
3. The Barrier bracket is then secured to the vehicle using the M6 adjustable handle.
4. Once the barrier is in the desired position, tighten all bolts and knobs securely.
5. The barrier can be quickly removed by removing the M6 adjustable handles and lifting out the headrests.





Local Knowledge & Assistance

We know half the fun of building your dream 4x4 is getting your hands dirty. But we also know that sometimes, things don't go to plan. If in the pursuit to build the ultimate setup you find yourself off-track, we're here to help you get unstuck.

For further information call 07 3180 1470 or email info@kaon.com.au

Disclaimer: The products sold by KAON should not be modified, and are for use only on the vehicles specifically stated. KAON will not be liable for any damages arising out of the use or misuse of its products. It is the customers responsibility to ensure the products are safely and properly used and installed. KAON consistently seeks to improve its products and reserves the right to make changes to any product.



FITTING INSTRUCTIONS FOR

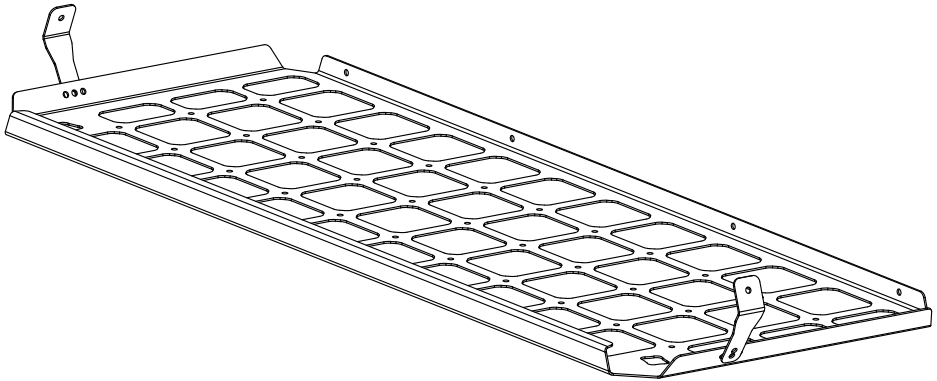
Barrier Shelf

SKU

KS0228

COMPATIBILITY

Toyota LandCruiser LC76



Included contents

QTY	COMPONENT	QTY	COMPONENT
1	Barrier Shelf	6	M6 x 16 Flanged Hex Bolt G8.8
2	Barrier Shelf Bracket	6	M6 Flanged Nut



Time

30 minutes / Half a beer

For further information contact KAON on **07 3180 1470** or info@kaon.com.au

NOTICE

We cannot confirm compatible fitment of this shelf with child restraints, due to the number of possible variations. Whilst it may work with your configuration, we recommend the use of a seat belt protector where any contact occurs between any seat belt or restraint and the shelf.

Bolt Torque

DIAMETER (mm)	5mm	6mm	8mm	10mm	12mm
NEWTON-METRES (Nm)	5 Nm	9 Nm	22 Nm	44 Nm	77 Nm

Let's get to work.

Preparation

1. Undo the M6 handle bolts and place the shelf brackets over the top of the barrier brackets. Loosely attach with handle bolt.



Installation

1. Loosely attach the shelf to the barrier using 4 of the supplied M6 bolts and nuts.
2. Attach the shelf to the rear handle brackets using the remaining supplied M6 bolts and nuts.
3. Once the shelf is in the desired position, tighten all bolts securely.





Local Knowledge & Assistance

We know half the fun of building your dream 4x4 is getting your hands dirty. But we also know that sometimes, things don't go to plan. If in the pursuit to build the ultimate setup you find yourself off-track, we're here to help you get unstuck.

For further information call 07 3180 1470 or email info@kaon.com.au

Disclaimer: The products sold by KAON should not be modified, and are for use only on the vehicles specifically stated. KAON will not be liable for any damages arising out of the use or misuse of its products. It is the customers responsibility to ensure the products are safely and properly used and installed. KAON consistently seeks to improve its products and reserves the right to make changes to any product.