



FITTING INSTRUCTIONS FOR

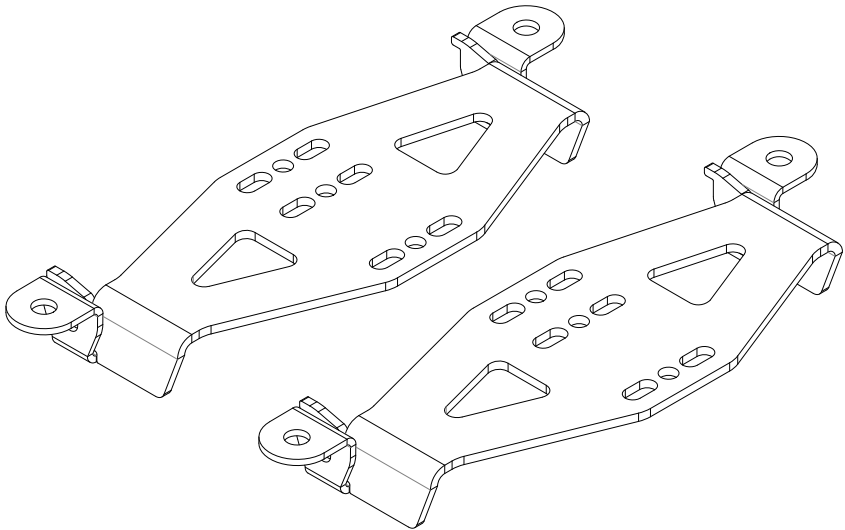
# Stealth Folding Maxtrax Mounts

PART NUMBER

**KS0335/338**

COMPATIBILITY

**Rhino-Rack Pioneer Platform, Rola Titan Tray**



## Included contents

QTY	COMPONENT
2	Stealth Mounts
4	M8 Slot nuts
4	M8 x 16 SS Button Head Cap Screw
4	M8 DIN Washer

## Also required

QTY	COMPONENT
4	MAXTRAX Mounting Pins



**Time**

15 minutes / Third of a beer

For further information contact KAON on **07 3180 1470** or [info@kaon.com.au](mailto:info@kaon.com.au)

## Bolt Torque

DIAMETER (mm)	5mm	6mm	8mm	10mm	12mm
NEWTON-METRES (Nm)	5 Nm	9 Nm	22 Nm	44 Nm	77 Nm

# Let's get to work.

---

## Preparation

1. It's best if we get the mounting pins attached to the Stealth Mounts first. If you ordered a set of pins, these will have been included. If you already had some, that's great! If you've lost them, we know a place you can buy some...
2. The genuine MAXTRAX Mounting Pin Set contains 4 x pins, 4 x nyloc nuts and 4 x washers. We find it easiest to attach the pins to the Stealth Mounts by holding the pin in place with a spanner, while using a socket to tighten the nut.
3. Ensure the final position of the pin matches the same orientation as the keyholes of your MAXTRAX. This can vary, depending on your desired mount placement.



## Installation

1. Now that we've got the pins sorted, let's get these mounts installed! Stealth Mounts can only be mounted North-South (*with the slats*). Select the slat you wish to mount your MAXTRAX on, and place all 4 slot nuts into it's channel.
2. Next, place your mounts in the desired mounting location, making sure the distance between the sets of pins of each mount is 890mm. Because of the way Stealth Mounts fold, you'll need to select a spot where both sets of pins can fold freely without hitting the lateral cross-members on the roof rack. It's best to install these mounts with the pins folded down.
3. Slide the slot nuts underneath so they line up with the designated Rhino-Rack holes on the mount.
4. Loosely finger-tighten a bolt and washer through the designated mount holes and into the slot nuts below.
5. Once both bolts are secure, test the spacing of your mounts by lining up a single MAXTRAX track with the pins.
6. With correct alignment confirmed, use a Hex key bit to tighten.
7. Now you're ready to start rocking your MAXTRAX! Use the pin locking mechanism to secure either 2 or 4 tracks. You can even use a small padlock if you want to keep them extra secure while you're out and about. And the best bit? When they're not in use you can simply fold them flat.





## Local Knowledge & Assistance

We know half the fun of building your dream 4x4 is getting your hands dirty. But we also know that sometimes, things don't go to plan. If in the pursuit to build the ultimate setup you find yourself off-track, we're here to help you get unstuck.

For further information call 07 3180 1470 or email [info@kaon.com.au](mailto:info@kaon.com.au)

Disclaimer: The products sold by KAON should not be modified, and are for use only on the vehicles specifically stated. KAON will not be liable for any damages arising out of the use or misuse of it's products. It is the customers responsibility to ensure the products are safely and properly used and installed. KAON consistently seeks to improve it's products and reserves the right to make changes to any product.