



FITTING INSTRUCTIONS FOR

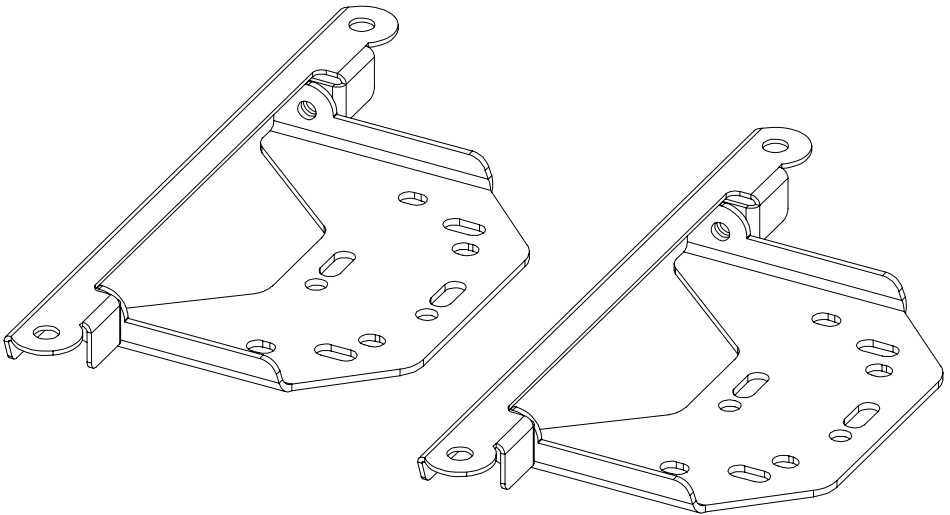
Folding Maxtrax Mounts 30mm High

SKU

KS0329/331

COMPATIBILITY

**Rhino-Rack Pioneer Platform,
Yakima LockNLoad Platform & Rola Titan Tray**



Included contents

QTY	COMPONENT
2	Folding Mounts
4	M8 Slot nuts
4	M8 x 16 SS Button Head Cap Screw
4	M8 DIN Washer

Also required

QTY	COMPONENT
4	MAXTRAX Mounting Pins



Time

15 minutes / Third of a beer

For further information contact KAON on **07 3180 1470** or info@kaon.com.au

Bolt Torque

DIAMETER (mm)	5mm	6mm	8mm	10mm	12mm
NEWTON-METRES (Nm)	5 Nm	9 Nm	22 Nm	44 Nm	77 Nm

Let's get to work.

Preparation

1. It's best if we get the mounting pins attached to the Folding Mounts first. If you ordered a set of pins, these will have been included. If you already had some, that's great! If you've lost them, we know a place you can buy some...
2. The genuine MAXTRAX Mounting Pin Set contains 4 x pins, 4 x nyloc nuts and 4 x washers. We find it easiest to attach the pins to the Stealth Mounts by holding the pin in place with a spanner, while using a socket to tighten the nut.
3. Make sure to correctly mount the pins to the Folding Mount, as pictured.
4. Ensure the final position of the pin matches the same orientation as the keyholes of your MAXTRAX. This can vary, depending on your desired mount placement.



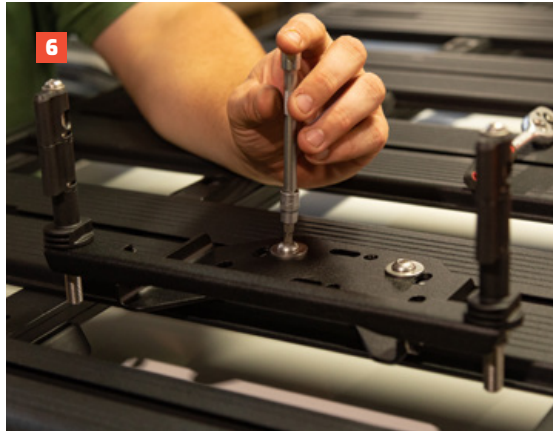
Installation – East-West Orientation

1. Now that we've got the pins sorted, let's get these mounts on! First up, you'll need to determine if you want to run your MAXTRAX East-West (*across* the slats) or North-South (*with* the slats). If you want to run them N-S, turn over to the back page.
2. For East-West, start by placing two slot nuts in two different channels, each 2 slats apart.
3. Next, place your Folding Mounts in the desired locations on each slat. Slide the slot nuts underneath so they line up with the designated Rhino-Rack holes on the mount, and loosely finger-tighten a bolt and washer into the slot nuts below.
4. Repeat the process for the other mount. Once both are secure, test the alignment of your mounts by lining up a single MAXTRAX track with the pins.
5. With correct alignment confirmed, use a Hex key bit to tighten.
6. Now you're ready to start rocking your MAXTRAX! Use the pin locking mechanism to secure either 2 or 4 tracks. You can even use a small padlock if you want to keep them extra secure while you're out and about. And the best bit? When they're not in use you can simply fold them flat.



Installation – North-South Orientation

1. If you're wanting to run your MAXTRAX in a North-South Orientation (running *with* the slats), you're in the right place. Select the slat you wish to mount your MAXTRAX on, and place all 4 slot nuts into it's channel.
2. Next, place your mounts in the desired mounting location, making sure the distance between the sets of pins of each mount is 890mm. Slide the slot nuts underneath so they line up with the designated Rhino-Rack holes on the mount.
3. Loosely finger-tighten a bolt and washer through the designated mount holes and into the slot nuts below.
4. Once both bolts are secure, test the spacing of your mounts by lining up a single MAXTRAX track with the pins.
5. Follow steps 5 & 6 from the East-West instructions to complete the installation.



Local Knowledge & Assistance

We know half the fun of building your dream 4x4 is getting your hands dirty. But we also know that sometimes, things don't go to plan. If in the pursuit to build the ultimate setup you find yourself off-track, we're here to help you get unstuck.

For further information call 07 3180 1470 or email info@kaon.com.au

Disclaimer: The products sold by KAON should not be modified, and are for use only on the vehicles specifically stated. KAON will not be liable for any damages arising out of the use or misuse of it's products. It is the customers responsibility to ensure the products are safely and properly used and installed. KAON consistently seeks to improve it's products and reserves the right to make changes to any product.