



FITTING INSTRUCTIONS FOR

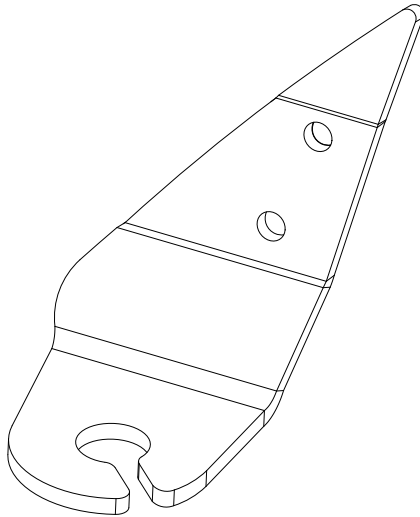
Side Mirror Aerial Mount (LHS/RHS)

SKU

KS0291/324

COMPATIBILITY

Toyota LandCruiser LC200



Included contents

QTY	COMPONENT	QTY	COMPONENT
1	Aerial Mount Bracket	1	M6 Nutsert
2	4mm Kidney Shaped Spacers	1	M6 Nutsert Tool
2	M6x25 Button Head Bolts		



Time

30 minutes / Half a beer

Scan the **QR code** to watch the video installation guide,
or for further information contact KAON on **07 3180 1470** or info@kaon.com.au



Bolt Torque

DIAMETER (mm)	5mm	6mm	8mm	10mm	12mm
NEWTON-METRES (Nm)	5 Nm	9 Nm	22 Nm	44 Nm	77 Nm

Let's get to work.

Preparation

1. Make sure you have the correct bracket for the side you are working on. Here we'll cover the LHS option, but the RHS is the same.

We want to make sure you don't damage anything in the quest to mount your aerial, so make sure to apply masking tape around the panel in front of the mirror to prevent damage to paint.

2. Carefully pry off the plastic panel, working along the bottom edge.



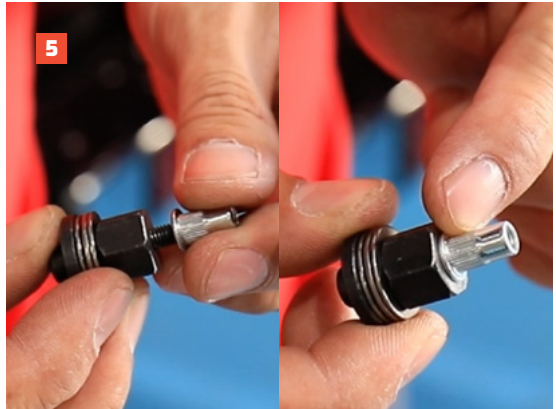
Nutsert Installation

3. Remove the M6 bolt attaching the front quarter panel with 10mm spanner or socket. Carefully drill and enlarge the upper hole to 9.5mm.
4. Apply rust preventative paint to the drilled hole.



Bracket Installation

5. If you have a nutsert gun, use it to install the nutserts. Otherwise, set up the nutsert on the provided nutsert tool using an allen key and a ring spanner, as pictured.
6. Set the nutsert into the hole and tighten until you feel that it has clamped onto the vehicle.
7. Once set, remove the bolt and nut, leaving the nutsert in the rear door.
8. Place the two spacers behind the aerial bracket so the curves clear the panel ridges.



Bracket Installation cont.

9. Position and attach the bracket using two M6x25 button head screws.
10. Sit back and enjoy your hard work. Don't relax too much though, looks like now you have an aerial to install. The easiest way is to run the cable between the door gap to the grommet underneath the bracket into the cabin.



Local Knowledge & Assistance

We know half the fun of building your dream 4x4 is getting your hands dirty. But we also know that sometimes, things don't go to plan. If in the pursuit to build the ultimate setup you find yourself off-track, we're here to help you get unstuck.

For further information call 07 3180 1470 or email info@kaon.com.au

Disclaimer: The products sold by KAON should not be modified, and are for use only on the vehicles specifically stated. KAON will not be liable for any damages arising out of the use or misuse of its products. It is the customers responsibility to ensure the products are safely and properly used and installed. KAON consistently seeks to improve its products and reserves the right to make changes to any product.