



FITTING INSTRUCTIONS FOR

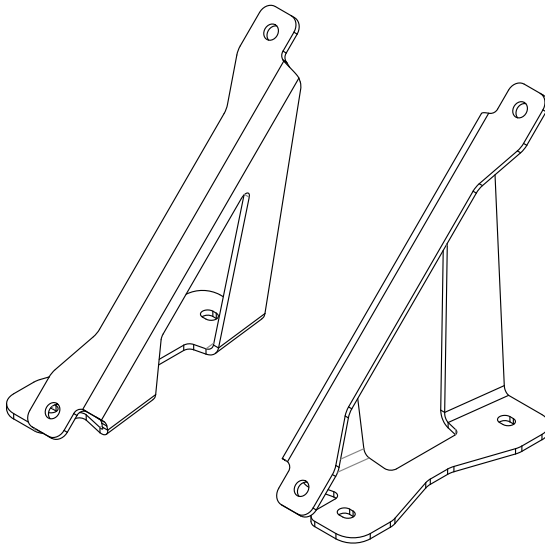
Angled Wind Deflector Maxtrax & TRED Mount

SKU

KS0268

COMPATIBILITY

Rhino-Rack Pioneer Platform (5 Slat)



Included contents

| QTY | COMPONENT |
|-----|-------------------------------------|
| 2 | Angled Wind Deflector Mount Bracket |
| 4 | SwitchBolt Tee Bolt |
| 4 | SwitchBolt Retainer |
| 4 | M8 x 24 x 2.0 DIN Washer |
| 4 | M8 Nyloc Nut |

Also required

| QTY | COMPONENT |
|-----|-------------------------------|
| 4 | Maxtrax or TRED Mounting Pins |



Time

10 minutes / Few sips of beer

For further information contact KAON on **07 3180 1470** or info@kaon.com.au

G8.8 Bolt Torque (Non-Lubricated)

| DIAMETER (mm) | 5mm | 6mm | 8mm | 10mm | 12mm |
|--------------------|------|-------|-------|-------|-------|
| NEWTON-METRES (Nm) | 6 Nm | 10 Nm | 15 Nm | 22 Nm | 35 Nm |

Let's get to work.

Preparation

1. It's best if we get the mounting pins attached to the Flush Flat Mounts first. If you ordered a set of pins, these will have been included. If you already had some, that's great! If you've lost them, we know a place you can buy some...
2. The genuine Maxtrax Mounting Pin Set contains 4 x pins, 4 x nyloc nuts and 4 x washers. We find it easiest to attach the pins to the brackets by holding the pin in place with a spanner, while using a socket to tighten the nut.



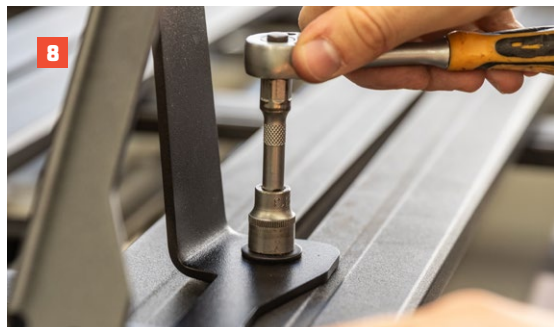
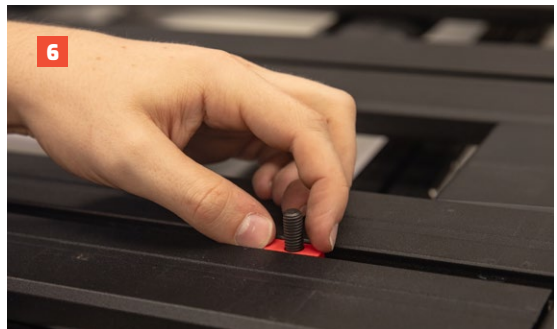
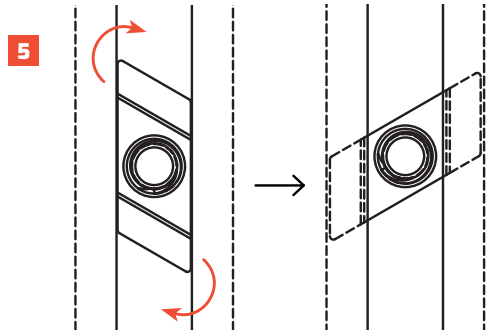
Installation

3. At the front of the rack, place two Tee Bolts each in the first and fifth slat.



Installation cont

4. Mockup the bracket's position over the Tee bolts to determine the spacing and position required. Ensure that the brackets are in the correct orientation on each side, pointing outwards away from each other and **not** pointing in.
5. Once confirmed, remove the bracket and twist each Tee Bolt in the channel until it touches both sides, as pictured.
6. Place the retainer over the Tee Bolt to lock its position in the channel. The retainer must be used in order to secure the bolt's position.
7. Place each bracket in position, and secure to the roof rack using the washer and nuts provided.
8. Tighten until secure.
9. That's it – you're done!
All that's left to do is put your recovery boards on.





Local Knowledge & Assistance

We know half the fun of building your dream 4x4 is getting your hands dirty. But we also know that sometimes, things don't go to plan. If in the pursuit to build the ultimate setup you find yourself off-track, we're here to help you get unstuck.

For further information call 07 3180 1470 or email info@kaon.com.au

Disclaimer: The products sold by KAON should not be modified, and are for use only on the vehicles specifically stated. KAON will not be liable for any damages arising out of the use or misuse of its products. It is the customers responsibility to ensure the products are safely and properly used and installed. KAON consistently seeks to improve its products and reserves the right to make changes to any product.