



FITTING INSTRUCTIONS FOR

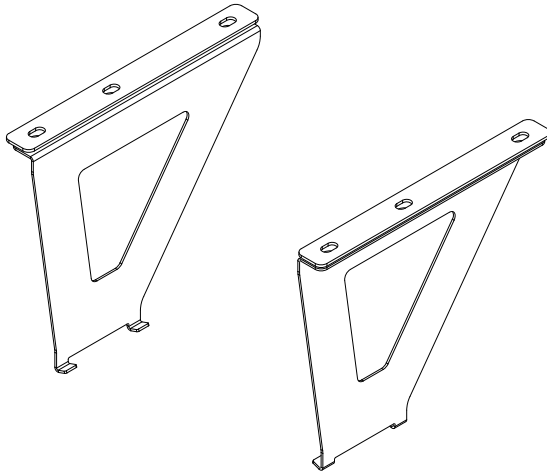
Travel Oven Mounting Brackets

SKU

KS0155

COMPATIBILITY

***Travel Buddy, KickAss, Road Chef
& Tentworld Outback Travel Ovens***



Included contents

QTY	COMPONENT	QTY	COMPONENT
1	Mounting Bracket (LHS)	6	M6 x 16 Flanged Hex Bolt G8.8
1	Mounting Bracket (RHS)	6	M6 X 18 X 1.6 DIN Flat Washer
2	Clamping Plate		



Time

5 minutes / Few swigs of beer

For further information contact KAON on **07 3180 1470** or info@kaon.com.au

Bolt Torque

DIAMETER (mm)	5mm	6mm	8mm	10mm	12mm
NEWTON-METRES (Nm)	5 Nm	9 Nm	22 Nm	44 Nm	77 Nm

Let's get to work.

Preparation

1. The Mounting Brackets are offset to allow more flexibility when installing. It's best to configure the mounts so they clamp closer to the load bearing areas of the shelf.

For mounting closer to the front of the shelf, orient the brackets so they clamp closer to the front lip which is be stronger than clamping mostly in the centre of the shelf (A). The opposite is true if you want to position your oven towards the back of the shelf (B).



Installation

It's easiest to install the oven with the help of a mate, but it can be done solo if you're able to MacGyver something for your oven to rest on whilst you secure it in place.

1. Whilst holding the brackets in the mounting points on the oven, lift the oven up to the desired mounting location on the underside of your shelf.
2. Place the Clamping Plate above the Mounting Bracket and secure in place using the provided M6 bolts and washers. Repeat for the other side.
3. We've designed this mount to clamp onto the Shelf mesh so you're able to get exact placement to suit your setup. Note that the bracket **does not** mount to the M6 holes in the molle mesh. Once you've confirmed this placement, tighten all bolts to secure.
4. That's it, you're done! Now all that's left is to crank the heat, pop in some pies or a sausage roll, and lunch is sorted!





Local Knowledge & Assistance

We know half the fun of building your dream 4x4 is getting your hands dirty. But we also know that sometimes, things don't go to plan. If in the pursuit to build the ultimate setup you find yourself off-track, we're here to help you get unstuck.

For further information call 07 3180 1470 or email info@kaon.com.au

Disclaimer: The products sold by KAON should not be modified, and are for use only on the vehicles specifically stated. KAON will not be liable for any damages arising out of the use or misuse of its products. It is the customers responsibility to ensure the products are safely and properly used and installed. KAON consistently seeks to improve its products and reserves the right to make changes to any product.