



FITTING INSTRUCTIONS FOR

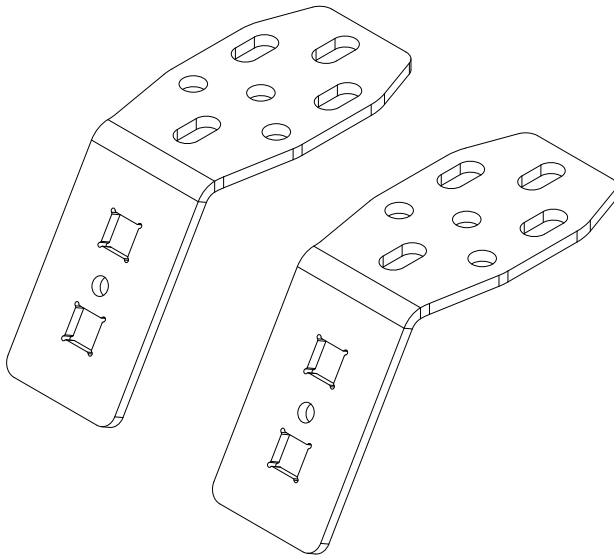
Shovel Holder Mount

SKU

KS0062

COMPATIBILITY

Rhino-Rack, ROLA, Yakima, Thule, Cross Bars



Included contents

QTY	COMPONENT	QTY	COMPONENT
2	Shovel Mount Bracket	4	M8 Nyloc Nut
4	SwitchBolt Tee Bolt	4	M8 x 24 x 2.0 DIN Washer
4	SwitchBolt Retainer	4	M8 x 20 Button Head Socket Screw
		4	M8 Unistrut Nut



Time

10 minutes/ Few sips of beer

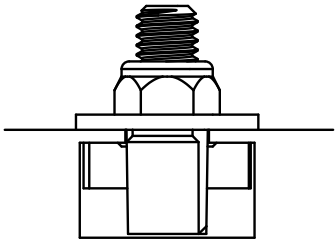
For further information contact KAON on **07 3180 1470** or info@kaon.com.au

Which hardware you'll need.

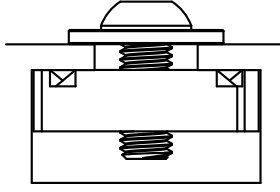
We've made sure to source the hardware you'll need for your specific type of roof rack, so you can get your awning up as hassle-free as possible.

The following fastening hardware will vary, based on which roof rack you are mounting to.

Rhino-Rack / Yakima / ROLA/ Thule

QTY	COMPONENT	
4	SwitchBolt Tee Bolt	
4	SwitchBolt Retainer	
4	M8 Nyloc Nut	
4	M8 x 24 x 2.0 DIN Washer	

HD and Aero Cross Bars

QTY	COMPONENT	
4	M8 x 20 Button Head Socket Screw	
4	M8 x 24 x 2.0 DIN Washer	
4	M8 Unistrut Nut	

G8.8 Bolt Torque (Non-Lubricated)

DIAMETER (mm)	5mm	6mm	8mm	10mm	12mm
NEWTON-METRES (Nm)	6 Nm	10 Nm	15 Nm	22 Nm	35 Nm

Let's get to work.

Preparation

1. Attach your chosen shovel holder (e.g. Quickfst/ STOW iT Utility Holder) to the bracket with the fasteners supplied with the mount.
2. Consider where you want your shovel located and how the brackets will need to be positioned to achieve this.

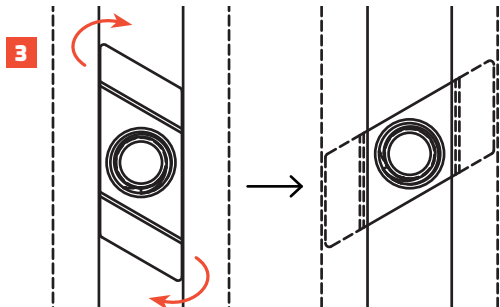


Installation

3. **If you are installing on a Rhino-Rack, Yakima or relevant rack:** Place two SwitchBolt Tee Bolts in each desired channel of the rack. Twist each bolt so that it sits flush against the sides of the channel, as pictured. Secure the bolt's position with a Retainer over the top.



Place the shovel mount brackets over the SwitchBolts, and loosely attach with nyloc nuts and washers.



Installation cont.

- 4. If installing on a Cross Bar Rack:** Loosely attach two unistrut nuts to each shovel mount using the supplied screws and washers, through the relevant mounting holes. Place the shovel mounts into position on the rack by dropping the unistrut nuts into the channel.
5. With the brackets loosely in position, confirm that the spacing between them matches the length of the shovel being used. Once confirmed, fasten completely.
6. That's it, you're done!
You can now secure your shovel to your roof rack, for quick and easy access.



Local Knowledge & Assistance

We know half the fun of building your dream 4x4 is getting your hands dirty. But we also know that sometimes, things don't go to plan. If in the pursuit to build the ultimate setup you find yourself off-track, we're here to help you get unstuck.

For further information call 07 3180 1470 or email info@kaon.com.au

Disclaimer: The products sold by KAON should not be modified, and are for use only on the vehicles specifically stated. KAON will not be liable for any damages arising out of the use or misuse of its products. It is the customers responsibility to ensure the products are safely and properly used and installed. KAON consistently seeks to improve its products and reserves the right to make changes to any product.