

Part Number:	KS0001
Product Description:	SOFT LUGGAGE BARRIER SHELF
Suited to Vehicle/s:	TOYOTA LANDCRUISER 200 SERIES

## NOTICE

PLEASE NOTE THIS BARRIER SHELF IS DESIGNED FOR SOFT LUGGAGE FOR USE DURING OFF ROAD ACTIVITIES – 10KG LIMIT

## Contents

1 x Soft Luggage Shelf Barrier  
3 x M6 DIN Washers  
3 off M6x16mm Flanged Bolts

2 x M10 DIN Washers  
2 off M10x25mm Flanged Bolts

## Preparation

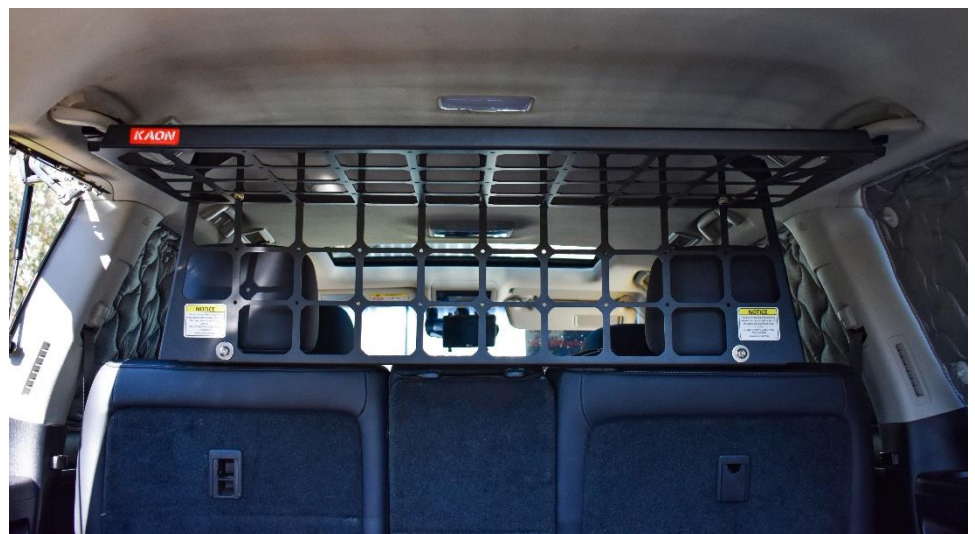
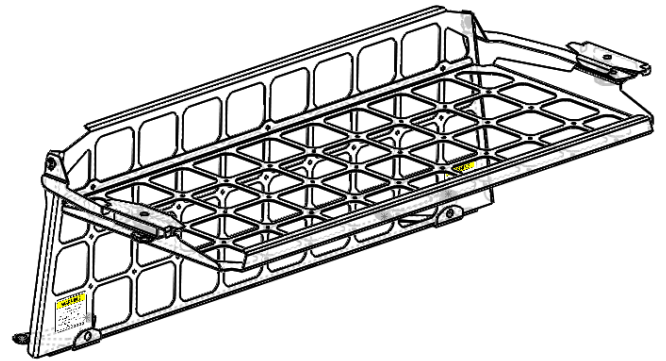
Remove the M10 cargo barrier handle knobs and retain.

## Installation

Loosely attach the shelf to the barrier using 3 x M6 bolts and washers.

Attach the shelf to the rear handle brackets using the M10 bolt and M10 DIN washer

Once the shelf is in the desired position, tighten all bolts securely.



BOLT TORQUE	Dia. (mm)	5mm dia	6mm dia.	8mm dia.	10mm dia.	12mm dia.
	(Nm)	5 Nm	9 Nm	22 Nm	44 Nm	77 Nm